






-  Compliant with IEEE802.3 standard including 350uH OCL with 8mA DC bias
-  Designed to withstand IR-Reflow with peak temperature per IPC/JEDEC J-STD-020C
-  Operating temperature 0°C to +70°C
-  Some models are UL60950 recognized
-  RoHS compliant versions are available



ELECTRICAL SPECIFICATION @ 25°C

| Part Number | RoHS Part Number | Turns Ratio | | Insertion Loss (dB Max) | Return Loss (dB Min) | | | | CMRR (dB Min) | | Crosstalk (dB Min) | Hipot (Vrms) |
|--------------------------|------------------|-------------|---------|-------------------------|----------------------|---------|-------|----------|---------------|-----------|--------------------|--------------|
| | | Tx | Rx | | .1-100MHz | 1-30MHz | 40MHz | 50MHz | 60-80MHz | .1-100MHz | | |
| 824-M0012 | 824-M0012R | 1CT:1CT | 1:1 | 1.1 | 18.0 | 15.5 | 13.5 | 12.0 | 30.0 | 32.0 | 1500 | |
| 824-M0017 | 824-M0017R | 1CT:1CT | 1:1 | 1.1 | 18.0 | 15.5 | 13.5 | 12.0 | 30.0 | 32.0 | 1500 | |
| 824-M0061 | 824-M0061R | 1CT:1CT | 1:1 | 1.1 | 18.0 | 15.5 | 13.5 | 12.0 | 30.0 | 32.0 | 1500 | |
| 824-M0076 | 824-M0076R | 1CT:1CT | 1:1 | 1.1 | 18.0 | 15.5 | 13.5 | 12.0 | 30.0 | 32.0 | 1500 | |
| 824-M0077 | 824-M0077R | 1CT:1CT | 1:1 | 1.1 | 18.0 | 15.5 | 13.5 | 12.0 | 30.0 | 32.0 | 1500 | |
| 824-M0079 | 824-M0079R | 1CT:1CT | 1:1 | 1.1 | 18.0 | 15.5 | 13.5 | 12.0 | 30.0 | 32.0 | 1500 | |
| 824-M0133 ¹ | - ³ | 1CT:1CT | 1:1 | 1.1 | 18.0 | 15.5 | 13.5 | 12.0 | 30.0 | 35.0 | 1500 | |
| 824-M0170 ¹ | - ³ | 1CT:1CT | 1:1 | 1.1 | 18.0 | 15.5 | 13.5 | 12.0 | 30.0 | 35.0 | 1500 | |
| | | Tx | Rx | .1-100MHz | 2-30MHz | 40MHz | 50MHz | 60-80MHz | 1-60MHz | 60-200MHz | .1-100MHz | |
| 824-M0116 ² | 824-M0116R | 1CT:1CT | 1CT:1CT | 1.0 | 18.0 | 14.4 | 13.1 | 12.0 | 37.0 | 25.0 | 33.0 | 1500 |
| 824-M0171 ^{1,2} | - ³ | 1CT:1CT | 1CT:1CT | 1.0 | 18.0 | 14.4 | 13.1 | 12.0 | 37.0 | 25.0 | 33.0 | 1500 |
| 824-M0240 | 824-M0240R | 1CT:1CT | 1CT:1CT | 1.0 | 18.0 | 14.4 | 13.1 | 12.0 | 37.0 | 25.0 | 33.0 | 1500 |

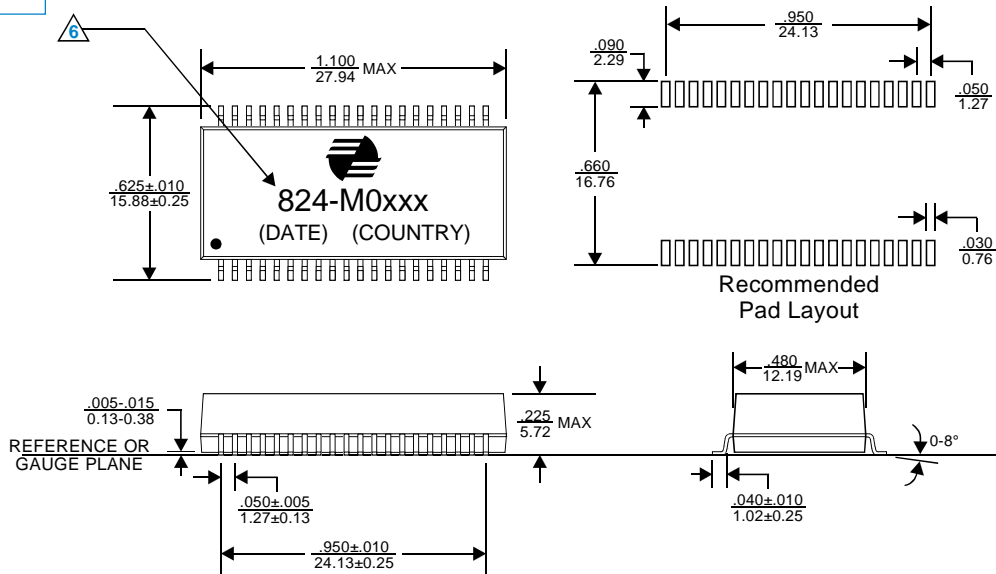
Notes:

1. Operating temperature -40°C to +85°C.
2. Suitable for Auto MDI/MDIX applications.
3. Contact EEMPL for RoHS compliant versions availability.



MECHANICAL DIMENSIONS

Package: SO040A



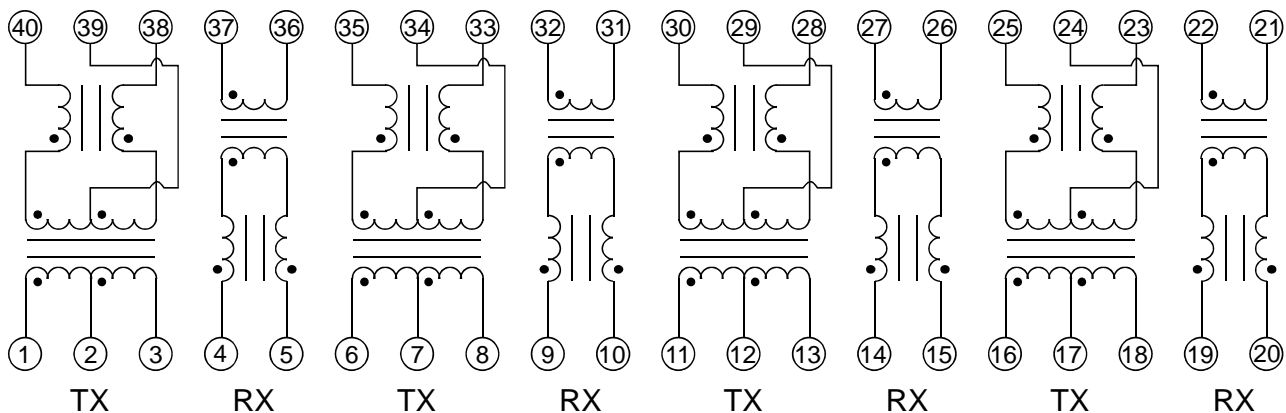
Notes:

- All dimensions are specified in $\frac{\text{inches}}{\text{mm}}$ with higher precedence in inches.
- Unless otherwise specified, all tolerances are $\pm \frac{.010}{0.25}$.
- For available RoHS part number, the part will be marked with "824-M0xxxR", instead of "824-M0xxx".

| | |
|------------------|--------------|
| Weight (in gram) | : 4.0 typ. |
| Tape & Reel | : 350 / reel |

SCHEMATICS

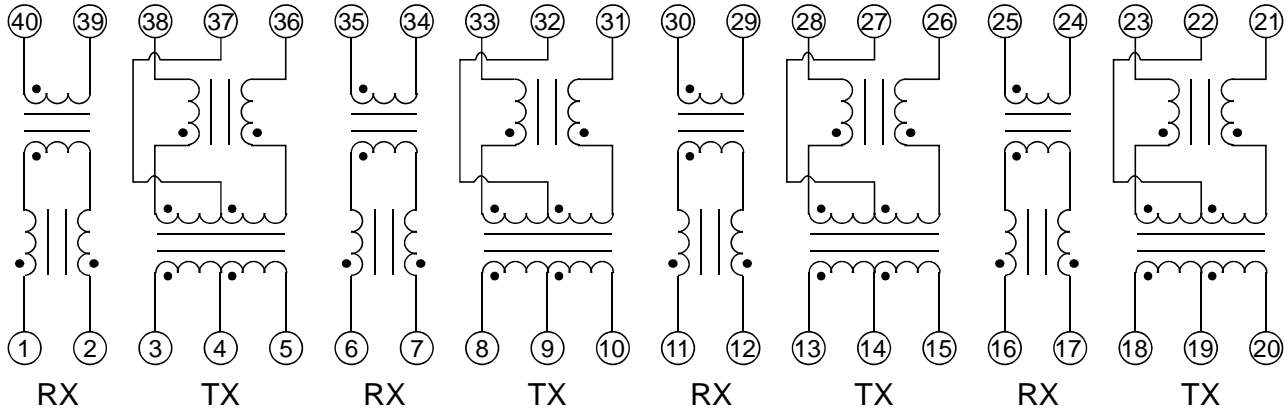
824-M0012 / 824-M0133





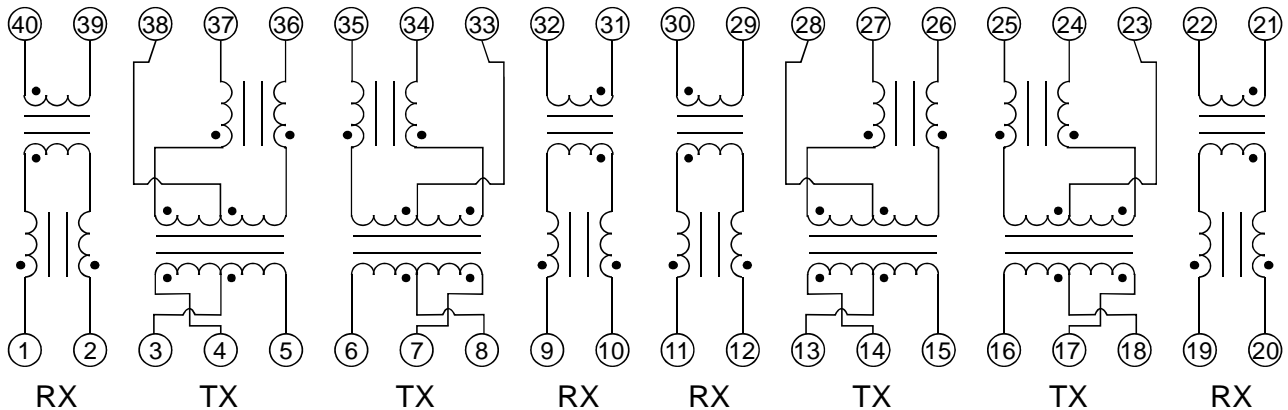
SCHEMATICS

824-M0017



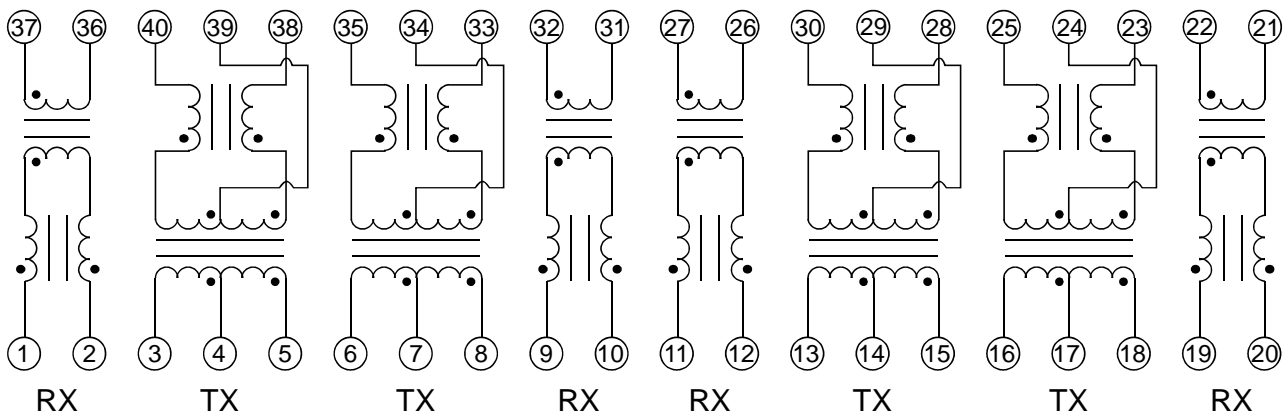
SCHEMATICS

824-M0061 / 824-M0170



SCHEMATICS

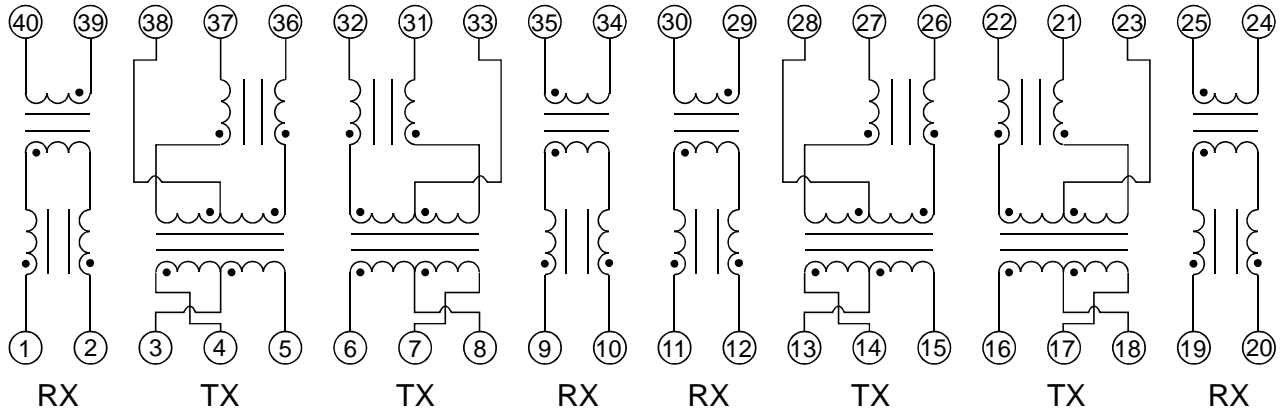
824-M0076





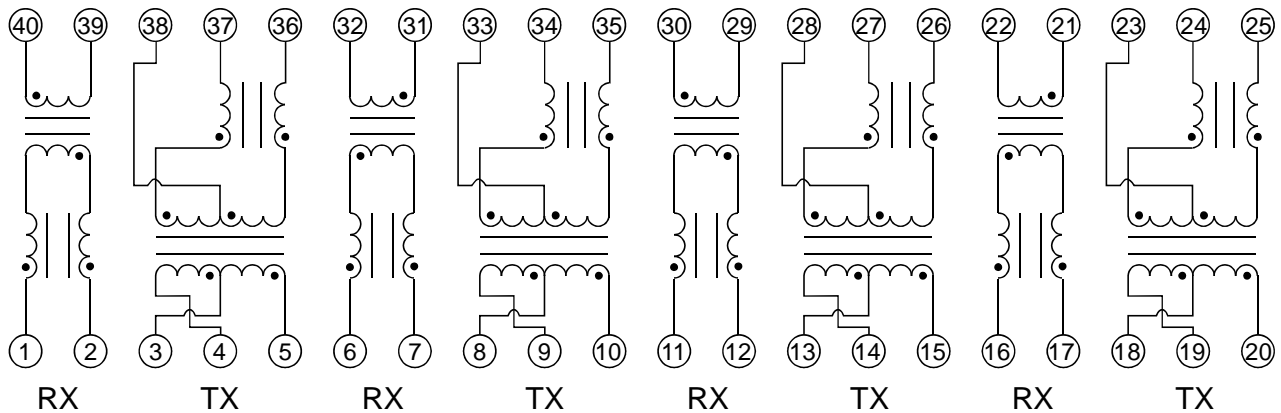
SCHEMATICS

824-M0077



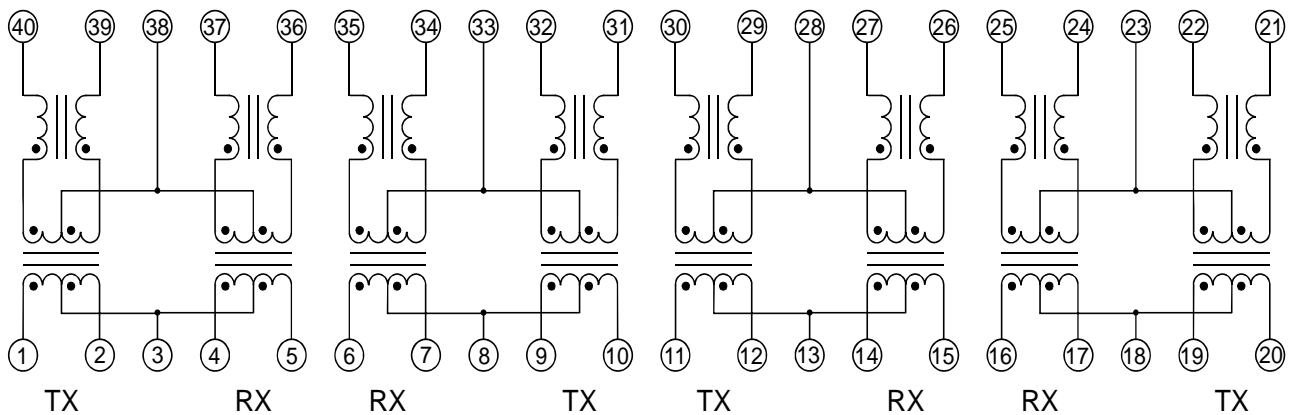
SCHEMATICS

824-M0079



SCHEMATICS

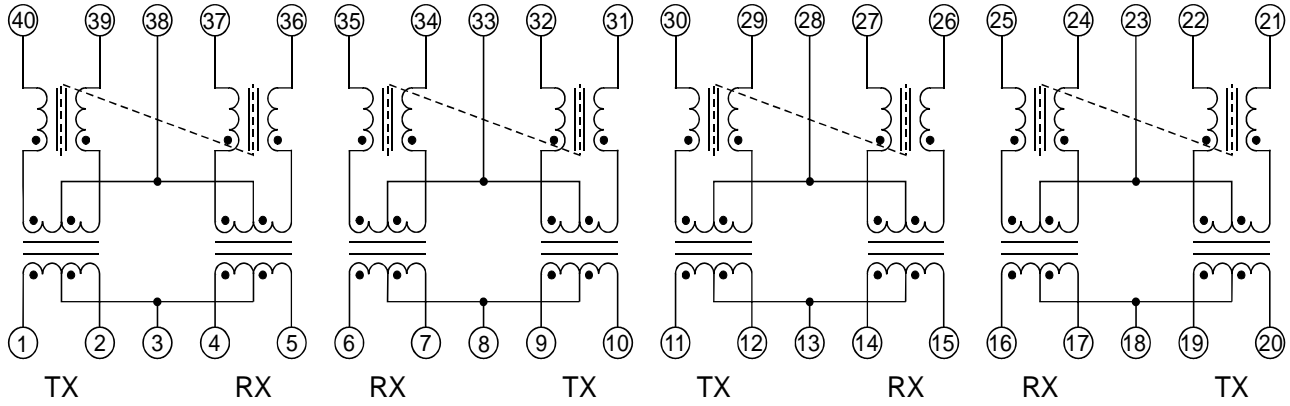
824-M0116 / 824-M0171





SCHEMATICS

824-M0240



FOR MORE INFORMATION, PLEASE CONTACT

HEADQUARTER
2/F Block A, Merit Industrial Centre,
94 Tokwawan Road, Kowloon,
Hong Kong
Tel: (852) 2765 3888
Fax: (852) 2954 3304
Email: eempl@eleceltek.com
Website: <http://www.eleceltek.com>

Information herein is for reference only and subject to change without notice. It does not constitute any representation, warranty or commitment of the company in respect of the products in any aspect. All logos, brands and product names mentioned herein are trademarks or registered trademarks of their respective owners. The company does not assume any liability arising out of the application or use of any product or circuit described herein. Copyrights 2006, E & E Magnetic Products Limited.

2/F Block A, 94 Tokwawan Road, Kowloon, Hong Kong • Tel: (852) 2765 3888 • Fax: (852) 2954 3304