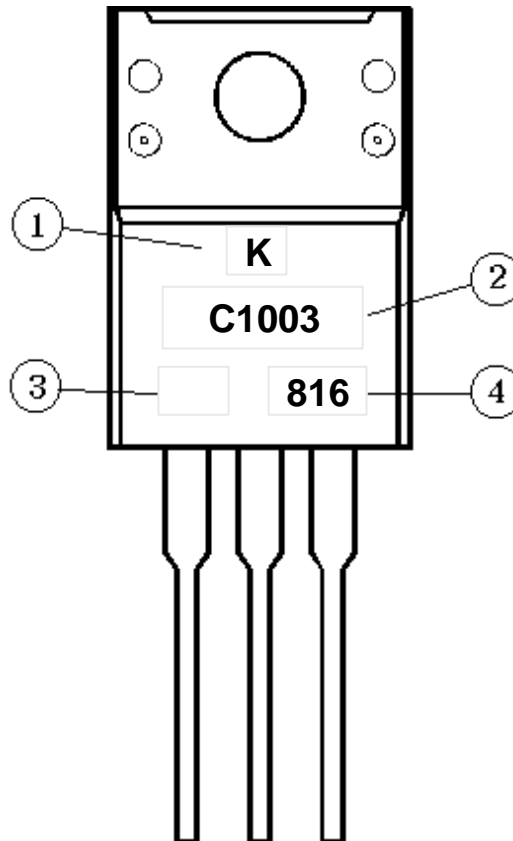


1. Marking method

Laser Marking or Ink Marking

2. Marking



No.	Item	Marking	Description		
1	KEC	K	KEC CORP.		
2	Device Name	C1003	KTC1003		
3	hFE Grade		-		
4	Lot No.	816	8	Year	0 ~ 9 : 1900~1999
			16	Week	16 : 16th Week