

Descriptions

- High voltage application
- Monitor equipment application

Features

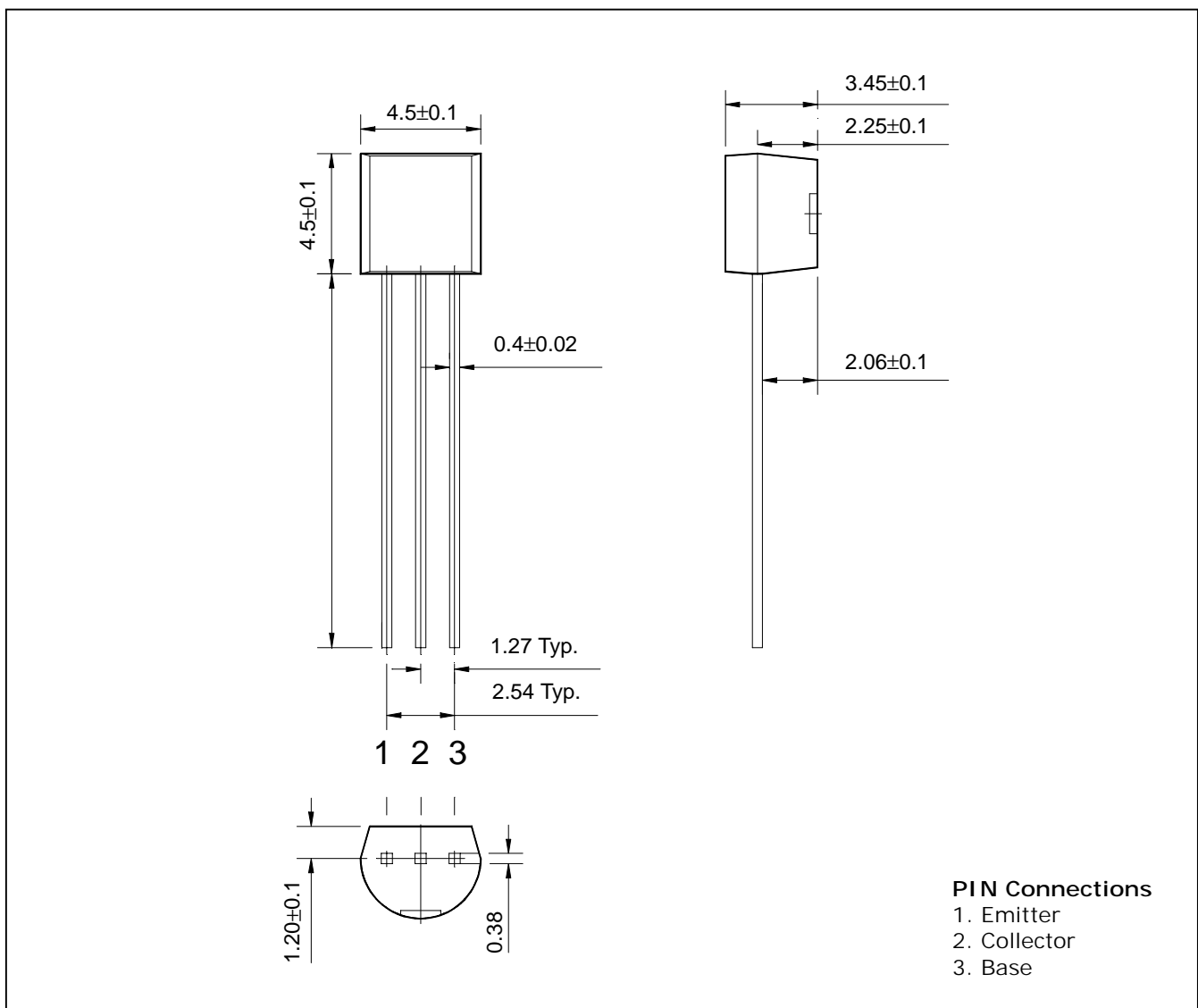
- Collector-Emitter voltage : $V_{CE0}=250V$
- Complementary pair with BF423

Ordering Information

Type NO.	Marking	Package Code
BF422	BF422	TO-92

Outline Dimensions

unit : mm



Absolute maximum ratings

Characteristic	Symbol	Ratings	Unit
Collector-Base voltage	V_{CBO}	250	V
Collector-Emitter voltage	V_{CEO}	250	V
Emitter-base	V_{EBO}	5	V
Collector current	I_C	100	mA
Collector dissipation	P_C	625	mW
Junction temperature	T_J	150	°C
Storage temperature	T_{stg}	-55 ~ 150	°C

Electrical Characteristics

Characteristic	Symbol	Test Condition	Min.	Typ.	Max.	Unit
Collector-Emitter breakdown voltage	BV_{CEO}	$I_C=1mA, I_B=0$	250	-	-	V
Collector cut-off current	I_{CBO}	$V_{CB}=200V, I_E=0$	-	-	100	nA
Emitter cut-off current	I_{EBO}	$V_{EB}=5V, I_C=0$	-	-	100	nA
DC current gain	h_{FE}	$V_{CE}=20V, I_C=25mA$	50	-	-	-
Collector-Emitter saturation voltage	$V_{CE(sat)}$	$I_C=30mA, I_B=5mA$	-	-	0.6	V
Transistor frequency	f_T	$V_{CE}=20V, I_C=10mA,$ $f=100MHz$	-	100	-	MHz
Collector output capacitance	C_{ob}	$V_{CB}=20V, I_E=0, f=1MHz$	-	1	-	pF