

Bulletin No
T01ECO
(Sep, 1998)

Sanken



**SANKEN
POWER TRANSISTORS**

CAUTION/WARNING

- The information in this publication has been carefully checked and is believed to be accurate; however, no responsibility is assumed for inaccuracies.
- Sanken reserves the right to make changes without further notice to any products herein in the interest of improvements in the performance, reliability, or manufacturability of its products. Before placing an order, Sanken advises its customers to obtain the latest version of the relevant information to verify that the information being relied upon is current.
- Application and operation examples described in this catalog are quoted for the sole purpose of reference for the use of the products herein and Sanken can assume no responsibility for any infringement of industrial property rights, intellectual property rights or any other rights of Sanken or any third party which may result from its use.
- When using the products herein, the applicability and suitability of such products for the intended purpose or object shall be reviewed at the users responsibility.
- Although Sanken undertakes to enhance the quality and reliability of its products, the occurrence of failure and defect of semiconductor products at a certain rate is inevitable. Users of Sanken products are requested to take, at their own risk, preventative measures including safety design of the equipment or systems against any possible injury, death, fires or damages to the society due to device failure or malfunction.
- Sanken products listed in this catalog are designed and intended for the use as components in general purpose electronic equipment or apparatus (home appliances, office equipment, telecommunication equipment, measuring equipment, etc.). Before placing an order, the user's written consent to the specifications is requested.
- When considering the use of Sanken products in the applications where higher reliability is required (transportation equipment and its control systems, traffic signal control systems or equipment, fire/crime alarm systems, various safety devices, etc.), please contact your nearest Sanken sales representative to discuss and obtain written confirmation of your specifications.
- The use of Sanken products without the written consent of Sanken in the applications where extremely high reliability is required (aerospace equipment, nuclear power control systems, life support systems, etc.) is strictly prohibited.
- Anti radioactive ray design is not considered for the products listed herein.
- This publication shall not be reproduced in whole or in part without prior written approval from Sanken.

Transistor Selection Guide..2	B1420.....45	C407387	C5130129
Reliability.....6	B1559.....46	C413088	C5239130
Temperature Derating in	B1560.....47	C413189	C5249131
Safe Operating Area.....9	B1570.....48	C413890	C5271132
Accessories.....9	B1587.....49	C413991	C5287133
Switching Characteristics	B1588.....50	C414092	C5333134
Test Circuit.....10	B1624.....51	C415393	C5370135
Symbols and Term.....10	B1625.....52	C429694	D1769136
A1186.....11	B1626.....53	C429795	D1785137
A1215.....12	B1647.....54	C429896	D1796138
A1216.....13	B1648.....55	C429997	D2014139
A1262.....14	B1649.....56	C430098	D2015140
A1294.....15	B1659.....57	C430199	D2016141
A1295.....16	C202358	C4304100	D2017142
A1303.....17	C283759	C4381/2101	D2045143
A1386/A.....18	C292160	C4388102	D2081144
A1488/A.....19	C292261	C4418103	D2082145
A1492.....20	C317962	C4434104	D2083146
A1493.....21	C326363	C4445105	D2141147
A1494.....22	C326464	C4466106	D2389148
A1567.....23	C328465	C4467107	D2390149
A1568.....24	C3519/A66	C4468108	D2401150
A1667/8.....25	C367867	C4495109	D2438151
A1673.....26	C367968	C4511110	D2439152
A1693.....27	C368069	C4512111	D2493153
A1694.....28	C383070	C4517/A112	D2494154
A1695.....29	C383171	C4518/A113	D2495155
A1725.....30	C383272	C4546114	D2557156
A1726.....31	C383373	C4557115	D2558157
A1746.....32	C383474	C4662116	D2560158
A1859/A33	C383575	C4706117	D2561159
A1860.....34	C3851/A76	C4883/A118	D2562160
A1907.....35	C3852/A77	C4886119	D2589161
A1908.....36	C385678	C4907120	SAH02162
A1909.....37	C385779	C4908121	SAH03163
B1257.....38	C385880	C5002122	Discontinued Parts
B1258.....39	C389081	C5003123	Guide.....164
B1259.....40	C392782	C5071124	
B1351.....41	C402083	C5099125	
B1352.....42	C402484	C5100126	
B1382.....43	C406485	C5101127	
B1383.....44	C406586	C5124128	

Transistor Selection Guide

V_{CEO}-I_C

Collector-Emmitter Voltage V _{CEO} (V)	800		C3678 C4020 C4299 C4304 C4445 C4908		C3679 C4300		C3680 C4301 C5002 C5003		C5124									
	600		C5249								C4706							
	550		C4517 C4517A C5239		C4518 C4518A C5287				C3927 C4557									
	500					C3830 C4907			C3831									
	400				C4073 C4418 C4662 C5130		C3832 C3890 C4130 C4546		C4138 C4296	C3833 C4297 C5071	C4139 C4298 C4434				C4140			
	380					D2141												
	300	C2023 C5333																
	250					D2017												
	230											A1294 C3263			A1295 C3264			
	200	A1668 C4382	D2016		C5271 D2557 D2558							A1493 C3857			A1494 C3858			
	180	A1859A C4883A										A1386A A1492 A1673 C3519A C3856 C4388			A1216 C2922			
	160											A1215 A1386 C2921 C3519						
	150	A1667 A1859 C4381 C4883						B1559 B1587 D2389 D2438	A1186 B1560 B1588 C2837 D2390 D2439	B1570 D2401	A1303 A1860 C3284 C4886	B1647 B1649 D2560 D2562			B1648 D2561			
	140								A1695 A1909 C4468 C5101									
	120			D2015		D1769 D1785 D2045	C3834 C3835 C4153	A1694 A1908 C4467 C5100	B1259 D2081					B1382 B1420 D2082				B1383 D2083
	110					B1624 B1625 B1626 B1659 D2493 D2494 D2495 D2589												
	100					B1258 A1693 A1725 A1726 A1907 C4466 C4511 C4512 C5099												
	80		C3852A	A1488A C3851A D2014														
	60		C3852	A1262 A1488 B1257 C3179 C3851 D1796								A1568 B1351 B1352 C4065						
	50		C4495							C4024	A1567 A1746 C4064 C5370	C4131						
40																		
		2	3	4	5	6	7	8	10	12	14	15	16	17	18	25		
		Collector Current I _C (A)																

Transistor Selection Guide

■ Transistors for Switch Mode Power Supplies (for AC80–130V input)

V _{CB0} (V)	V _{CEO} (V)	I _c (A)	MT-25 (TO220)	FM20 (TO220F)	MT-100 (TO3P)	FM100 (TO3PF)	
250	200	5		C5271			
500	400	5		C4073			
				C4418			
				C4662			
		7	C3832	C3890			
				C4130			
		10			C4138	C4296	
		12				C3833	C4297
						C5071	
		15				C4139	C4298
				C4434			
18				C4140			
600	400	5		C5130			
		7		C4546			
	500	6	C3830	C4907			
		10			C3831		
	600	3		C5249			

■ Transistors for Switch Mode Power Supplies (for AC180–280V input)

V _{CB0} (V)	V _{CEO} (V)	I _c (A)	MT-25 (TO220)	FM20 (TO220F)	MT-100 (TO3P)	FM100 (TO3PF)
900 (1000)	550	3	C5239	C4517(A)		
		5		C4518(A)	C5287	
		10			C3927	C4557
	600	14			C4706	
900	800	3	C4020	C4908		
					C3678	C4299
				C4304		C4445
		5			C3679	C4300
		7			C3680	C4301

Transistor Selection Guide

Transistors for Audio Amplifiers

■ Single Transistors

● Single Emitter

Type No.	Pc(W)	VCE0(V)	Ic(A)	hFE(min)	fT(MHz)	Package
2SA1725/2SC4511	30	80	6	50	20	FM20 (TO220F)
2SA1726/2SC4512	50					MT-25 (TO220)
2SA1693/2SC4466	60					MT-100 (TO3P)
2SA1907/2SC5099	60					FM100 (TO3PF)
2SA1908/2SC5100	75	120	8			MT-100 (TO3P)
2SA1694/2SC4467	80					FM100 (TO3PF)
2SA1909/2SC5101	80					MT-100 (TO3P)
2SA1673/2SC4388	85	180	15			FM100 (TO3PF)
2SA1695/2SC4468	100	140	10			MT-100 (TO3P)
2SA1492/2SC3856	130	180	15			MT-100 (TO3P)
2SA1493/2SC3857	150	200	15			MT-200 (2-screw mount)
2SA1494/2SC3858	200		17			

● LAPT (Multi emitter for High Frequency)

Type No.	Pc(W)	VCE0(V)	Ic(A)	hFE(min)	fT(MHz)	Package
2SA1860/2SC4886	80	150	14	50	50	FM100 (TO3PF)
2SA1186/2SC2837	100		10		60	MT-100 (TO3P)
2SA1303/2SC3284	125		14		50	
2SA1386/2SC3519	130	160	15		40	
2SA1386A/2SC3519A	130	180			35	
2SA1294/2SC3263	130	230			50	
2SA1215/2SC2921	150	160	17		40	MT-200 (2-screw mount)
2SA1216/2SC2922	200	180			35	
2SA1295/2SC3264	200	230				

Transistor Selection Guide

■ Darlington Transistors

Type No.	Pc(W)	V _{CEO} (V)	I _C (A)	hFE(min)	f _T (MHz)	Package		
2SB1626	30	110	6	5000	100	FM20 (TO220F)		
2SD2495					60			
2SB1659	50				100	MT-25 (TO220)		
2SD2589					60			
2SB1624	60				100	MT-100 (TO3P)		
2SD2493					60			
2SB1625	60				100	FM100 (TO3PF)		
2SD2494					60			
2SB1587	75				150		8	65
2SD2438								80
2SB1559	80	10	65	MT-100 (TO3P)				
2SD2389			80					
2SB1588	80	15	50	FM100 (TO3PF)				
2SD2439			55					
2SB1649	85	200	15			45		
2SD2562						70		
2SB1560	100	150	10	50		MT-100 (TO3P)		
2SD2390				55				
2SB1647	130		15	45				
2SD2560				70				
2SB1570	150		150	12	50	MT-200 (2-screw mount)		
2SD2401					55			
2SB1648	200		150	17	45			
2SD2561					70			

■ Temperature compensation Transistors and Driver Transistors

Type No.	Pc(W)	V _{CEO} (V)	I _C (A)	hFE(min)	f _T (MHz)	Package	Remarks
2SC4495	25	50	3	500	40	FM20 (TO220F)	Temperature compensation
2SC4883	20	150	2	60	120		Driver, Complement 2SA1859
2SC4883A		180					Driver, Complement 2SA1859A
2SA1859	20	-150	-2	60	60		Driver, Complement 2SC4883
2SA1859A		-180					Driver, Complement 2SC4883A

Reliability

1. Definition of Reliability

The word reliability is an abstract term which refers to the degree to which equipment or components, such as semiconductor devices, are resistant to failure. Reliability can be and is often measured quantitatively. Reliability is defined as "whether equipment or components (such as a semiconductor device) under given conditions perform the same at the end of a given period as at the beginning."

2. Reliability Function

In general, there are three types of failure modes in electronic components:

1. Infant failure
2. Random failure
3. Wear-out failure

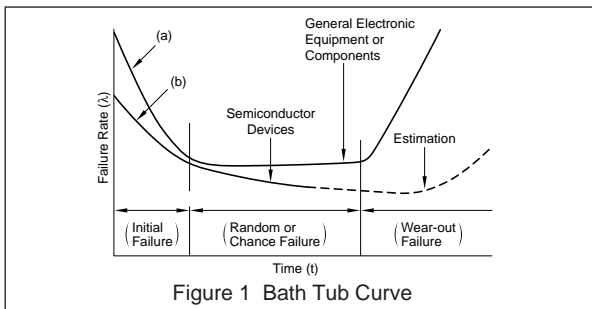


Figure 1 Bath Tub Curve

These three types of failure describe "bathtub curve" shown in Figure 1. Infant failures can be attributed to trouble in the production process and can be eliminated by aging before shipment to customers, stricter control of the production process and quality control measures. Semiconductor devices such as transistors, unlike electronic equipment, take a considerable amount of time to reach the stage where wear-out failure begins to occur. And, as shown in Figure 1 (b), they also last much longer than electronic equipment. This shows that the longer they are used the more stable they actually become.

The reduction that occurs in random failures can be approximated by Weibull distribution, logarithmic normal distribution, or gamma distribution, but Weibull distribution best expresses the phenomenon that occurs with transistors.

3. Quantitative Expression of Reliability

While there are many ways to quantitatively express reliability, two criteria, failure rate and life span, are generally used to define the reliability of semiconductors such as transistors.

a) Failure Rate (FR)

Failure rate often refers to instantaneous failures or $\lambda(t)$. In general of reliability theory, however, the cumulative failure rate, or Reliability Index, is

$$F \cdot R = \frac{r(t)}{N \cdot t} \dots \dots \dots (1)$$

Where N = Net quantity used, and
r(t) = Net quantity failed after t hours

If we assign t the arbitrary

$$F \cdot R = \frac{r}{N} \times 100 (\%/1,000 \text{ hours}) \dots \dots \dots (2)$$

In situations where the cumulative failure rate is small, failure is expressed in units of one Fit, 10^{-9} (failures/hours).

b) Life Span(L)

Life Span can be expressed in terms of average lifespan or as Mean Time Between Failure (MTBF), but assuming that random failure is shown by the Index Distribution [$\lambda(t) = \text{constant}$], then Life Span or L can be shown by the equation

$$L = \frac{1}{F \cdot R} (\text{hours}) \dots \dots \dots (3)$$

4. Applications Considered on Reliability

- a) The type and specifications of our transistors and semiconductor devices vary depending on the application that will be required by their intended use. Customer should, therefore, determine which type will best suit their purposes.
- b) Note that high temperatures or long soldering periods must be avoided during soldering, as heat can be transmitted through external leads into the interior. This may cause deterioration if the maximum allowable temperature is exceeded.
- c) When using the transistor under pulse operation or inductive load, the Safe Operating Area (SOA) for the current and voltage must not be exceeded (Figure 2).

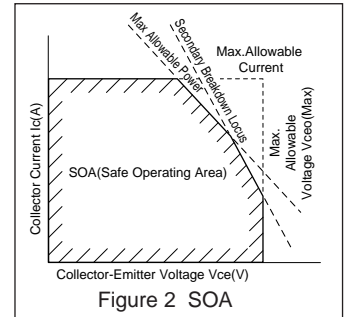


Figure 2 SOA

- d) The reliability of transistors and semiconductor devices is greatly affected by the stress of junction temperature. If we accept in general proceed in the form of Arrhenius equation, the relationship between the junction temperature T_j and lifespan L can be expressed with the following empirical formula

$$\ln L = A + \frac{B}{T_j} \dots \dots \dots (4)$$

It is, hence, very important to derate the junction temperature to assure a high reliability rate.

5. Reliability Test

Sanken bases its test methods and conditions on the following standards. Tests are conducted under these or stricter conditions, The details of these are shown in Table 1.

- MIL-STD-202F (Test method for electrical and electronic components)
- MIL-STD-750C (Test method for semiconductor equipment)
- JIS C 7021 (Endurance test and environmental test method for individual semiconductor devices)
- JIS C 7022 (Endurance test and environmental test method for integrated circuits of semiconductors)

6. Quality Assurance

To ensure high quality and high reliability, quality control and production process control procedures are executed from the receipt of parts through the entire production process. Our quality assurance system is shown in Figure 3.

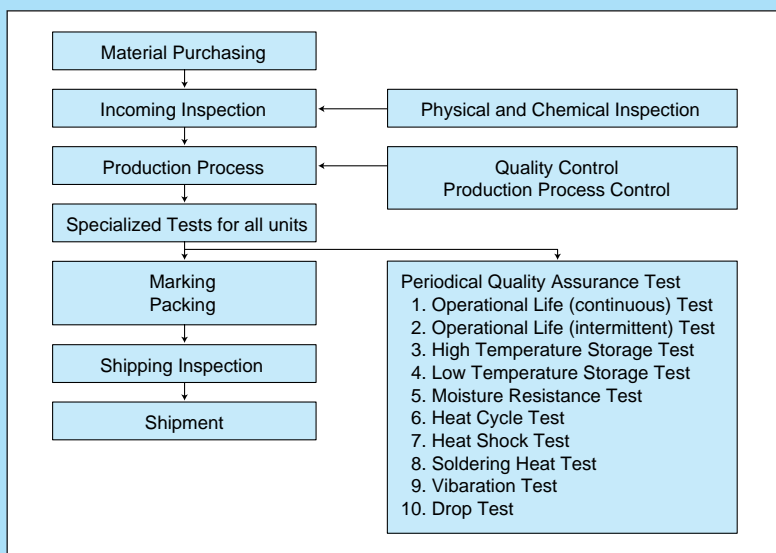
Reliability

Table 1: Test Methods and Conditions

Test	Details of the Testing Method	LTPD(%)
Continuous Operations Test	Collector dissipation with maximum junction temperature is applied continuously at room temperature to judge lifespan and reliability under transistor operating conditions.	*5/1000hrs
Intermittent Operation Test	Power equal to that used in the Continuous Operations Test is applied intermittently to test the transistor's lifespan and reliability under on and off conditions.	5/1000hrs
High Temperature Storage Test	Confirms the highest storage temperature and operating temperature of transistors.	5/1000hrs
Low Temperature Storage Test	Confirms the lowest storage temperature of transistors.	5/1000hrs
Moisture Resistance Test	Tested at RH=85% and TA=85°C for the effects of the interaction between temperature and humidity, and the effects of surface insulation between electrodes and high temperature/high humidity.	5/1000hrs
Heat Cycle Test	Tested at Tstg min – Room temp. – Tstg max – Room temp. for 10 cycles (one cycle 30 min. –5 min. –30 min. –5 min.) to detect mechanical faults and characteristic changes caused by thermal expansion and shrinkage of the transistor.	5
Heat Shock Test	Tested at 100°C (5 min.), 25°C (within 3 sec.), 0°C (5 min.) for 10 cycles to check for mechanical faults and characteristic changes caused by thermal expansion and shrinkage of transistor.	5
Soldering Heat Test	Tested at 260 ± 5°C, 10 ± 1 sec, by dipping lead wire to 1.5mm from the seating plane in solder bath to check for characteristic changes caused by drastic temperature rises of exterior lead wire.	5
Vibrations Test	Tested at amplitude 1.52mm, vibration frequency 10-55 Hz in directions of X, Y, Z, for 2 hours each (total 6 hours) to check for characteristic changes caused by vibration during operation and transportation.	5
Drop Test	Tested by dropping 10 times from 75 cm height to check for mechanical endurance and characteristic changes caused by shock during handling.	5

* Reliability Standard : 60%

Figure 3 Quality Assurance System



Reliability

7. Notes Regarding Storage, Characteristic Tests, and Handling

Since reliability can be affected adversely by improper storage environment and handling methods during Characteristic tests, please observe the following cautions.

a) Cautions for Storage

1. Ensure that storage conditions comply with the standard temperature (5 to 35°C) and the standard relative humidity (around 40 to 75%) and avoid storage locations that experience extreme changes in temperature or humidity.
2. Avoid locations where dust or harmful gases are present, and avoid direct sunlight.
3. Reinspect for rust in leads and solderability that have been stored for a long time.

b) Cautions for Characteristic Tests and Handling

1. When characteristic tests are carried out during inspection testing and other standard test periods, protect the transistor from surges of power from the testing device, shorts between the transistor and the heatsink

c) Silicone Grease

When using a heatsink, please coat the back surface of the transistor and both surfaces of the insulating plate with a thin layer of silicone grease to improve heat transfer between the transistor and the heatsink.

Recommended Silicone Grease

- G-746 (Shin-Etsu Chemical)
- YG6260 (Toshiba Silicone)
- SC102 (Dow Corning Toray Silicone)

d) Torque when Tightening Screws

Thermal resistance increases when tightening torque is small, and radiation effects are decreased. When the torque is too high, the screw can cut, the heatsink can be deformed, and/or distortion can arise in the product's frame. To avoid these problems, Table 2 shows the recommended tightening torques for each product type.

Table 2. Screw Tightening Torques

Package	Screw Tightening Torque
MT25 (TO-220)	0.490 to 0.686 N·m (5 to 7kgf·cm)
FM20 (TO-220 Full Mold)	0.490 to 0.686 N·m (5 to 7kgf·cm)
MT100 (TO-3P)	0.686 to 0.822 N·m (7 to 9kgf·cm)
FM100 (TO-3P Full Mold)	0.686 to 0.822 N·m (7 to 9kgf·cm)
MT200 (TO-3P two-point mount)	0.686 to 0.822 N·m (7 to 9kgf·cm)

e) Soldering Temperature

In general, the transistor is subjected to high temperatures when it is mounted on the printed circuit board, whether from flow solder from a solderbath, or, in hand operations from a soldering iron. The testing method and test conditions (JIS-C-7021 standards) for a transistor's heat resistance during soldering are:

At a distance of 1.5mm from the transistor's main body, apply 260°C for 10 seconds, and 350°C for 3 seconds.

However, please stay well within these limits and for as short a time as possible during actual soldering.

Reliability

Temperature Derating in Safe Operating Area

Flange (case) temperature is typically described as 25°C, but it must be derated subject to the operating temperature.

This derating curve is determined by manufacturing conditions of devices, materials used etc. and in case of a silicon transistor, breakdown voltage and DC Current Gain are significantly deteriorated in the temperature range of 260°C to 360°C.

Hence, the collector current must be derated by using the derating curve in Fig.2 where the breakdown point is set at 260°C.

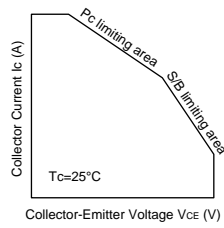


Fig.1 Safe Operating Area

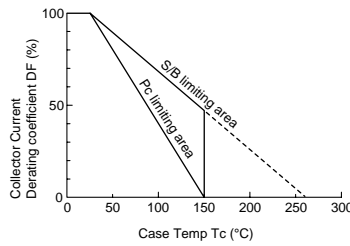


Fig.2 Derating Curve of Safe Operating Area

Derating coefficient is obtained from temperature in Fig.2 and it must be applied to the current value of the safe operating area in order to obtain the derated current.

Accessories

- ☆ Sanken Transistors do not include accessories. Accessories may be attached at a cost if requested.
- ☆ Sanken transistor case is a standard size, and can be used with any generally sold accessories.

- Insulator: Mica, with a thickness of 0.06mm, +0.045 –0.005 allowance
- Insulation Bush for MT-25 (TO220)

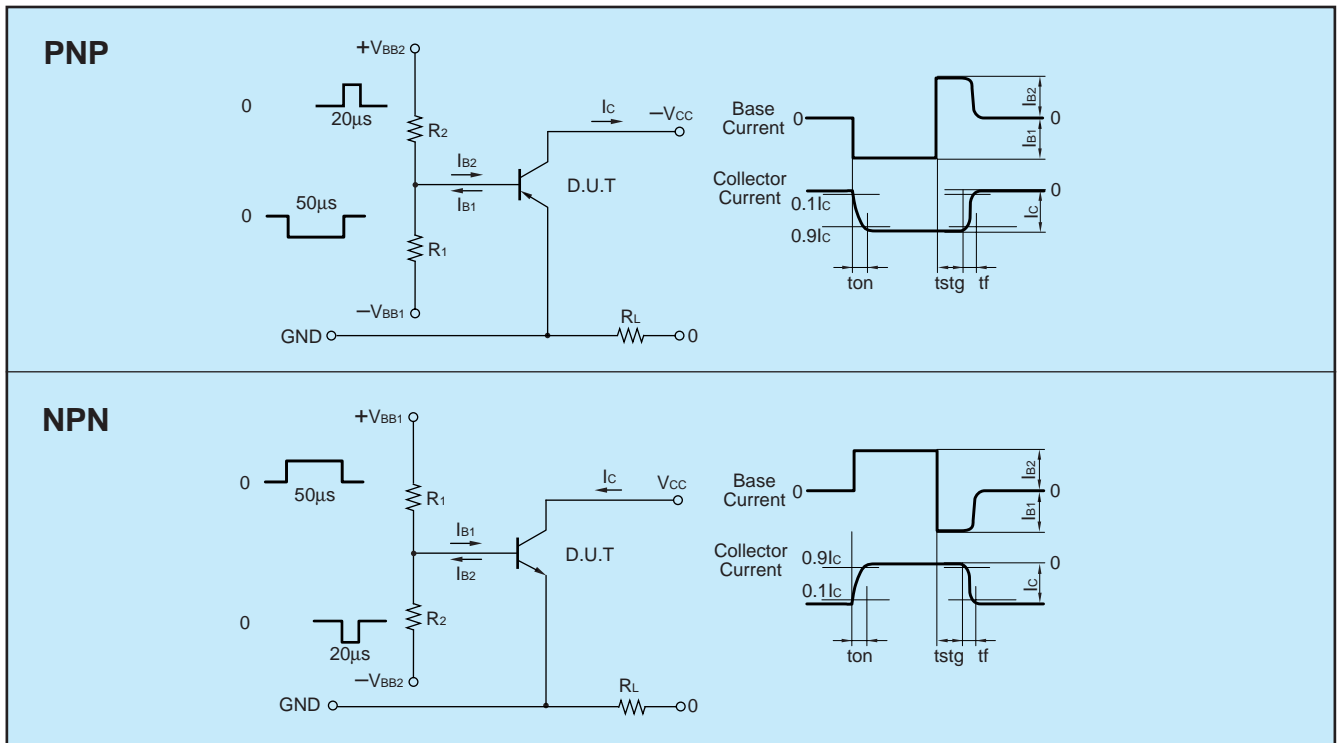
Type Name:Mold(10)Mica	Type Name:Mold(14)Mica	Type Name:Mold(9)Mica	

Switching Characteristics

Typical Switching Characteristics (Common Emitter)

V_{CC} (V)	R_L (Ω)	I_C (A)	V_{B2} (V)	V_{BB1} (V)	V_{BB2} (V)	I_{B1} (A)	I_{B2} (A)	t_r (μs)	t_{stg} (μs)	t_f (μs)
-----------------	-----------------------	--------------	-----------------	------------------	------------------	-----------------	-----------------	----------------------	--------------------------	----------------------

Switching Characteristics Test Circuit/Measurement Wave Forms



Symbols

Symbol	Item	Definition
V_{CBO}	Collector-Base Voltage	DC Voltage between Collector and Base when Emitter is open
V_{CEO}	Collector-Emitter Voltage	Voltage between Collector and Emitter when Base is open and voltage is reversely applied to Collector junction
V_{EBO}	Emitter-Base Voltage	DC voltage between Emitter and Base when Collector is open
I_C	Collector Current	DC current passing through Collector electrode
I_B	Base Current	DC current passing through Base electrode
P_C	Collector Power Dissipation	Power consumed at Collector junction
T_j	Operating Junction Temperature	Maximum allowable temperature value at absolute maximum ratings
T_{stg}	Storage Temperature	Maximum allowable range of ambient temperature at non-operation
I_{CBO}	Collector Cutoff Current	Collector current when Emitter is open and a specified reverse voltage is applied between Collector and Base
I_{EBO}	Emitter Cutoff Current	Emitter current when Collector is open and a specified reverse voltage is applied between Emitter and Base
$V_{(BR)CEO}$	Collector-Emitter Saturation Voltage	Breakdown voltage between Collector and Emitter when Base is open
h_{FE}	DC Current Gain	Ratio of DC output current and DC input current at a specified voltage and current (Emitter common)
$V_{CE(sat)}$	Collector-Emitter Saturation Voltage	DC voltage between Collector and Emitter under specified saturation conditions
$V_{BE(sat)}$	Base-Emitter Saturation Voltage	DC voltage between Base and Emitter under specified saturation conditions
V_{FEC}	Emitter-Collector Diode Forward Voltage	Diode forward voltage between Emitter and Collector when Base is open
f_t	Cut-off Frequency	Frequency at the specified voltage and current where h_{FE} is 1 (0dB)
C_{ob}	Collector Junction capacitance	Junction capacitance between collector and Base at a specified voltage and frequency

• $T_a=25^\circ C$ unless otherwise specified.

Discontinued Parts Guide

Discontinued Parts	Replacement Parts
2SA744to745	2SA1694to1695
2SA746to747	2SA1695
2SA764to765	2SA1725to1726
2SA807to808	2SA1693to1694
2SA878	-
2SA892	2SB1351
2SA907to909	2SA1215to1216,1295
2SA971	-
2SA980to982	2SA1694
2SA1067	-
2SA1068	-
2SA1102	2SA1693
2SA1103	2SA1694
2SA1104	2SA1694
2SA1105	2SA1695
2SA1106	2SA1695
2SA1116	2SA1493
2SA1117	2SA1494
2SA1135	2SA1693
2SA1169	2SA1493
2SA1170	2SA1494
2SA1187	-
2SA1205	2SA1746
2SA1355	2SA1262,1488
2SB622	-
2SB711to712	2SB1259,1351
2SB1005	2SB1257
2SB1476	2SB1624
2SB1586	2SB1625
2SC1107	2SC3179,3851
2SC1108	2SC3851A
2SC1109	2SC3179,3851
2SC1110	2SC3851A
2SC1111to1112	2SC4467to4468
2SC1113	2SC4511to4512
2SC1114	-
2SC1115to1116	2SC4468
2SC1402to1403	2SC4467to4468
2SC1436	-
2SC1437	-
2SC1440to1441	-
2SC1442to1443	-
2SC1444to1445	2SC4511to4512
2SC1454	-
2SC1477	-
2SC1504	2SC2023
2SC1577to1578	2SC3833,3831
2SC1579to1580	2SC4706
2SC1584to1585	2SC2921-2922,3264
2SC1618to1619	2SC4466-4467
2SC1629	2SD2045
2SC1664	2SC4558
2SC1768	-
2SC1777	-
2SC1783	-
2SC1786	-
2SC1828	2SC3832,3830

Discontinued Parts	Replacement Parts
2SC1829	-
2SC1830	2SD2082,2083
2SC1831	-
2SC1832	-
2SC1888to1889	2SC3852,3852A
2SC2022	2SC2023
2SC2147	-
2SC2198	2SC4024
2SC2199	2SC4131
2SC2256	-
2SC2260to2262	2SC4467
2SC2302	2SC3832
2SC2303	2SC3833
2SC2304	2SC3833
2SC2305	-
2SC2306	2SC4140
2SC2307	2SC3833
2SC2317	2SD2016
2SC2354	2SC2023
2SC2364	-
2SC2365	2SC3831
2SC2491	2SC4024
2SC2492	-
2SC2493	-
2SC2577	2SC4466
2SC2578	2SC4467
2SC2579	2SC4467
2SC2580	2SC4468
2SC2581	2SC4468
2SC2607	2SC3857
2SC2608	2SC3858
2SC2665	2SC4466
2SC2723	2SC4140
2SC2761	-
2SC2773	2SC3857
2SC2774	2SC3858
2SC2809	-
2SC2810A	2SC4820
2SC2825	2SD2045
2SC2838	-
2SC2900	-
2SC3409	2SC3679
2SC3520	2SC4140
2SC3706	-
2SC3909	2SC3680
2SC4023	2SC5124
2SC4199,4199A	2SC5124
2SC4302	2SC4301
2SC4303,4303A	2SC5002
2SC4494	2SC4495
2SC4756	2SC5002
2SD15to18	2SC4468
2SD80to84	2SC4466,4467
2SD90to94	2SC3179,3851,3851A
2SD163to166	2SC4468
2SD201to203	2SC4466to4467
2SD211to214	2SC4468

Discontinued Parts	Replacement Parts
2SD219to221	2SC3179,3851,3851A
2SD219Flo221F	2SC3179,3851,3851A
2SD222to224	2SC3179,3851,3851A
2SD236to238	2SC3179,3851,3851A
2SD241to244	2SC3179,3851,3851A
2SD256to259	2SC3179,3851,3851A
2SD419to421	2SD1769,1785
2SD556to557	2SC4468
2SD593to594	2SC4020
2SD605	-
2SD606	-
2SD614to615	2SD1769,1785
2SD617	2SD2082
2SD721	2SD2081
2SD722	2SD2081
2SD807	2SC3679
2SD810	2SC4024
2SD971	-
2SD972	2SD1796
2SD1031	2SD1769,1785
2SD1170	2SD2045
2SD1532	2SD2015
2SD2231	2SD2493
2SD2437	2SD2494

Repair Parts	Replacement Parts
2SA768to769	2SA1262,1488,1488A
2SA770to771	2SA1725,1726
2SA957to958	2SA1667,1668
2SA1489	2SA1693
2SA1490	2SA1694
2SA1491	2SA1695
2SA1643	2SA1725
2SA1670	2SA1907
2SA1671	2SA1908
2SA1672	2SA1909
2SC1826to1827	2SC3179,3851,3851A
2SC1983to1984	2SC3852,3852A
2SC1985to1986	2SC4511,4512
2SC2167to2168	2SC4381,4382
2SC2315to2316	2SC4558
2SC2810	2SC3890
2SC3300	2SC4131
2SC3853	2SC4466
2SC3854	2SC4467
2SC3855	2SC4468
2SC4385	2SC5099
2SC4386	2SC5100
2SC4387	2SC5101
2SC4503	2SD2083
2SC4558	2SD2495