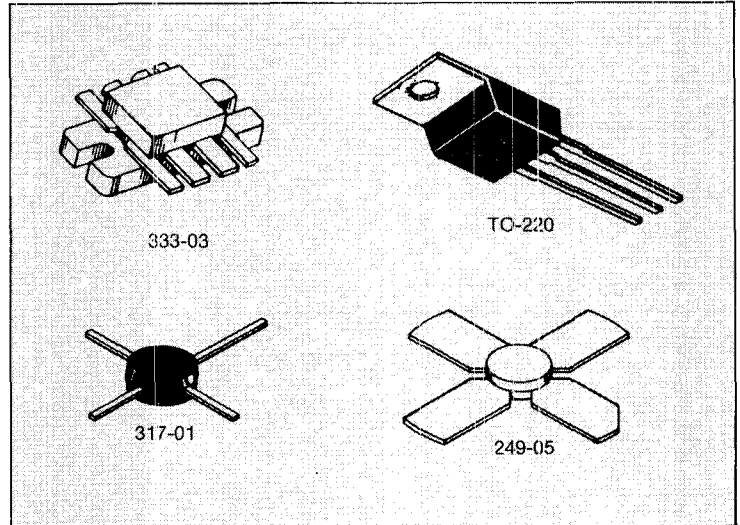


RF PRODUCTS — BIPOLAR POWER TRANSISTORS (continued)

3



UHF Applications (continued)

407–512 MHz, UHF FM Transistors

Higher power output devices in this UHF power transistor series feature internally input-matched construction, are designed for broadband operation, and have guaranteed ruggedness under output mismatch and RF overdrive conditions. Devices are specified for handheld, mobile and base station operation.

Device	P _{out} Output Power Watts	P _{in} Input Power Watts	G _{PE} Power Gain dB Min	V _{CC} Supply Voltage Volts	Package
MRF750	0.5	0.05	10	7.5	305A-01
MRF752	2.5	0.4	8.0	7.5	249-05
MRF754	8.0	2.0	8.0	7.5	249-05
MRF627	0.5	0.05	10	12.5	305A-01
MRF559	0.5	0.025	13	12.5	317-01
MRF581	0.6	0.023	14	12.5	317-01
MRF515	0.75	0.12	8.0	12.5	TO-205AD
MRF555	1.5	0.15	10	12.5	3170-01
MRF629*	2.0	0.32	8.0	12.5	79-03
2N5944	2.0	0.25	9.0	12.5	244-04
MRF630*	3.0	0.33	9.5	12.5	79-03
2N5945	4.0	0.64	8.0	12.5	244-04
MRF652	5.0	0.50	10	12.5	244-04
2N5946	10	2.5	6.0	12.5	244-04
MRF653	10	2.0	7.0	12.5	244-04
MRF654	15	2.5	7.8	12.5	244-04
MRF641**	15	2.5	7.8	12.5	316-01
MRF644**	25	5.9	6.2	12.5	316-01
MRF646**	40	13.3	4.8	12.5	316-01
MRF648**	60	22	4.4	12.5	316-01
MRF338**	80	15	7.3	28	333-03

*Grounded Emitter CASE 79-03 (TO-205 Type)

**Internal Impedance Matched