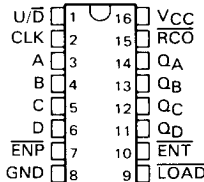


SN54ALS168B, SN54ALS169B, SN54AS168, SN54AS169 SN74ALS168B, SN74ALS169B, SN74AS168, SN74AS169 SYNCHRONOUS 4-BIT UP/DOWN DECADE AND BINARY COUNTERS

MARCH 1984 — REVISED MAY 1986

- Fully Synchronous Operation for Counting and Programming
- Internal Look-Ahead for Fast Counting
- Carry Output for n-Bit Cascading
- Fully Independent Clock Circuit
- Package Options Include Plastic "Small Outline" Packages, Ceramic Chip Carriers, and Standard Plastic and Ceramic 300-mil DIPs
- Dependable Texas Instruments Quality and Reliability

SN54ALS*, SN54AS* . . . J PACKAGE
SN74ALS*, SN74AS* . . . D OR N PACKAGE
(TOP VIEW)



description

These synchronous presettable counters feature an internal carry look-ahead for cascading in high-speed counting applications. The 'ALS168B and 'AS168 are decade counters and the 'ALS169B and 'AS169 are 4-bit binary counters. Synchronous operation is provided by having all flip-flops clocked simultaneously so that the outputs change coincident with each other when so instructed by the count-enable inputs and internal gating. This mode of operation helps eliminate the output counting spikes that are normally associated with asynchronous (ripple clock) counters. A buffered clock input triggers the four flip-flops on the rising (positive-going) edge of the clock waveform.

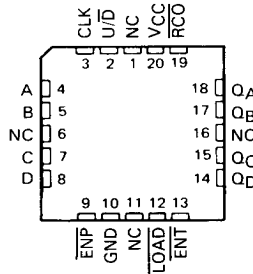
These counters are fully programmable; that is, the outputs may each be preset to either level. The load input circuitry allows loading with the carry-enable output of cascaded counters. As loading is synchronous, setting up a low level at the load input disables the counter and causes the outputs to agree with the data inputs after the next clock pulse.

The carry look-ahead circuitry provides for cascading counters for n-bit synchronous application without additional gating. Instrumental in accomplishing this function are two count-enable inputs and a carry output. Both count enable inputs ($\overline{\text{ENP}}$ and $\overline{\text{ENT}}$) must be low to count. The direction of the count is determined by the level of the U/D input. When U/D is high, the counter counts up; when low, it counts down. Input $\overline{\text{ENT}}$ is fed forward to enable the carry output. The ripple carry output (RCO) thus enabled will produce a low-level pulse while the count is zero (all inputs low) counting down or maximum (9 or 15) counting up. This low-level overflow carry pulse can be used to enable successive cascaded stages. Transistions at $\overline{\text{ENP}}$ or $\overline{\text{ENT}}$ are allowed regardless of the level of the clock input. All inputs are diode-clamped to minimize transmission-line effects, thereby simplifying system design.

These counters feature a fully independent clock circuit. Changes at control inputs ($\overline{\text{ENP}}$, $\overline{\text{ENT}}$, $\overline{\text{LOAD}}$, U/D) that will modify the operating mode have no effect on the contents of the counter until clocking occurs. The function of the counter (whether enabled, disabled, loading, or counting) will be dictated solely by the conditions meeting the stable setup and hold times.

The SN54ALS168B, SN54AS168, SN54ALS169B, and SN54AS169 are characterized for operation over the full military temperature range of -55°C to 125°C . The SN74ALS168B, SN74AS168, SN74ALS169B, and SN74AS169 are characterized for operation from 0°C to 70°C .

SN54ALS*, SN54AS* . . . FK PACKAGE
(TOP VIEW)



NC—No internal connection

PRODUCTION DATA documents contain information current as of publication date. Products conform to specifications per the terms of Texas Instruments standard warranty. Production processing does not necessarily include testing of all parameters.



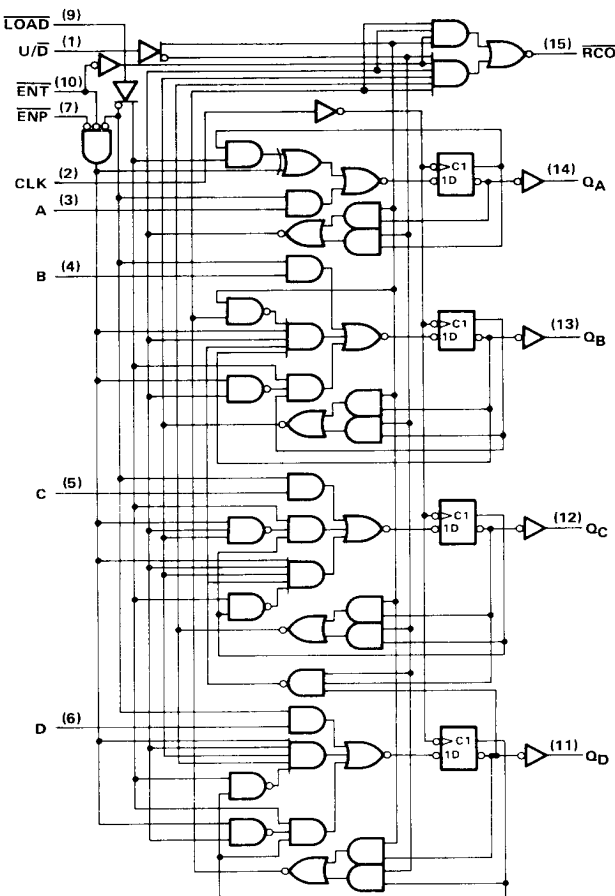
POST OFFICE BOX 655012 • DALLAS, TEXAS 75265

Copyright © 1984, Texas Instruments Incorporated

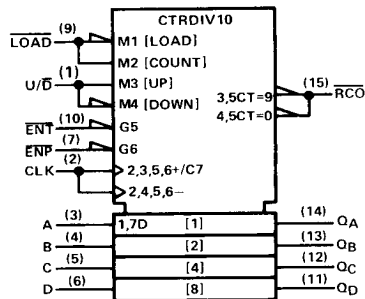
2
ALS and AS Circuits

SN54ALS168B, SN54AS168, SN74ALS168B, SN74AS168
SYNCHRONOUS 4-BIT UP/DOWN DECADE COUNTERS

'ALS168B, 'AS168 logic diagram (positive logic)



'ALS168B, 'AS168 logic symbol†

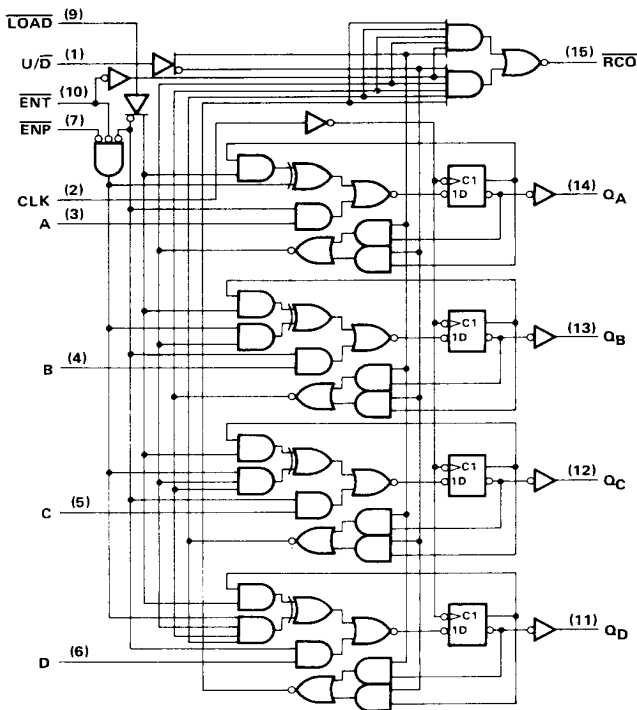


†This symbol is in accordance with ANSI/IEEE Std 91-1984 and IEC Publication 617-12. Pin numbers shown are for D, J, and N packages.

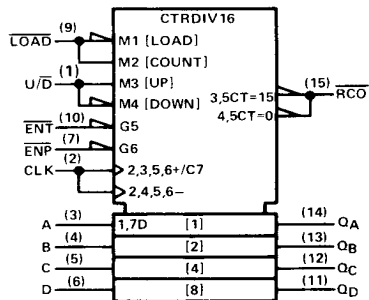
2 ALS and AS Circuits

SN54ALS169B, SN54AS169, SN74ALS169B, SN74AS169 SYNCHRONOUS 4-BIT UP/DOWN BINARY COUNTERS

'ALS169B, 'AS169 logic diagram (positive logic)



'ALS169B, 'AS169 logic symbol†



†This symbol is in accordance with ANSI/IEEE Std 91-1984 and IEC Publication 617-12. Pin numbers shown are for D, J, and N packages.



POST OFFICE BOX 655012 • DALLAS, TEXAS 75265

**SN54ALS168B, SN54AS168, SN74ALS168B, SN74AS168
SYNCHRONOUS 4-BIT UP/DOWN DECADE COUNTERS**

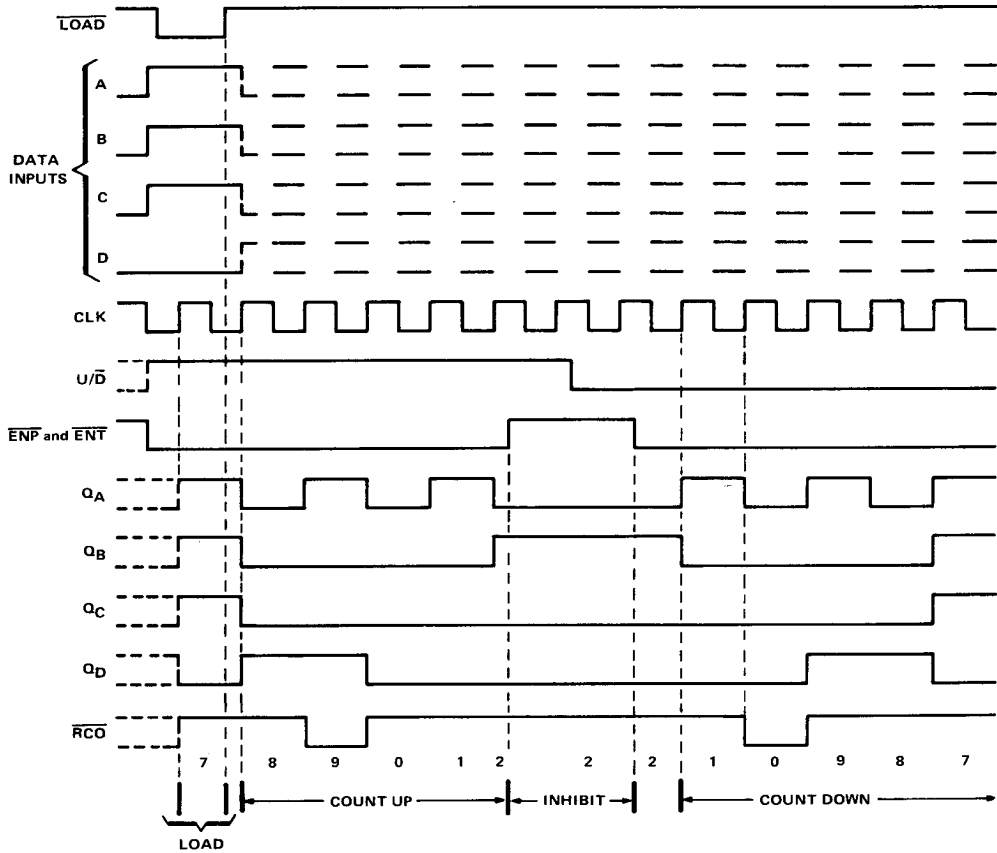
'ALS168B, 'AS168 typical load, count, and inhibit sequences

Illustrated below is the following sequence:

1. Load (preset) to BCD seven
2. Count up to eight, nine (maximum), zero, one, and two
3. Inhibit
4. Count down to one, zero (minimum), nine, eight, and seven

2

ALS and AS Circuits

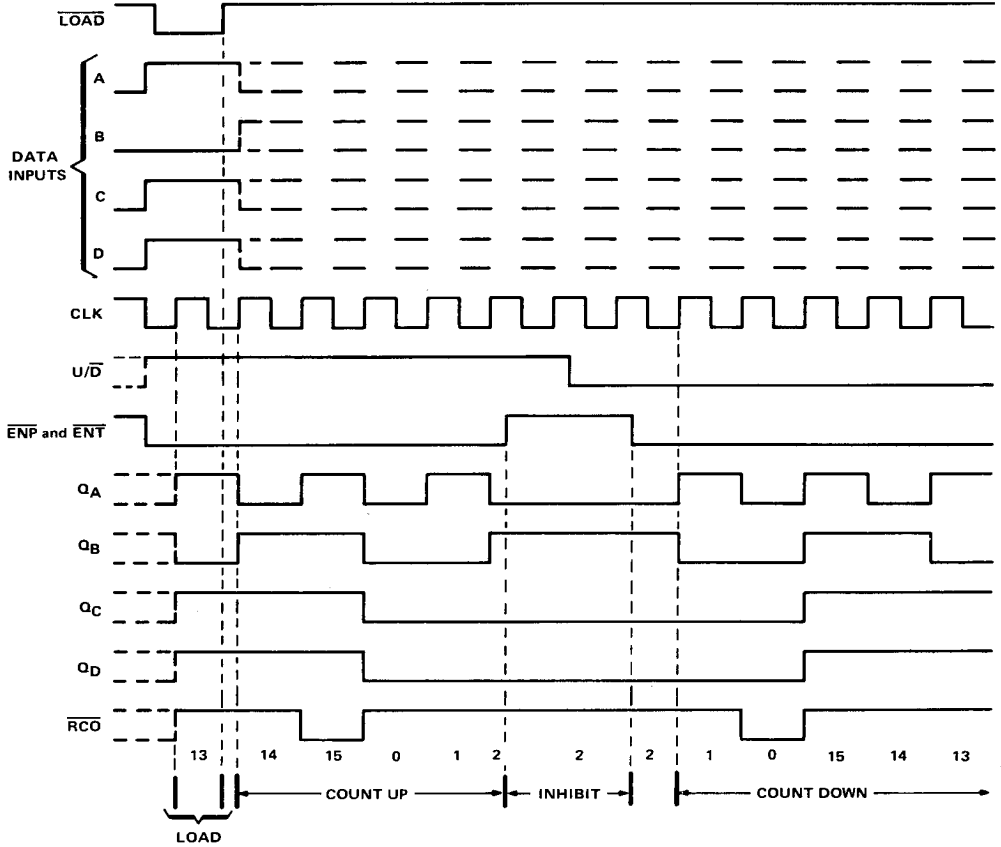


**SN54ALS169B, SN54AS169, SN74ALS169B, SN74AS169
SYNCHRONOUS 4-BIT UP/DOWN BINARY COUNTERS**

'ALS169B, 'AS169 typical load, count, and inhibit sequences

Illustrated below is the following sequence:

1. Load (preset) to binary thirteen
2. Count up to fourteen, fifteen (maximum), zero, one, and two
3. Inhibit
4. Count down to one, zero (minimum), fifteen, fourteen, and thirteen



POST OFFICE BOX 655012 • DALLAS, TEXAS 75265

SN54ALS168B, SN54ALS169B, SN74ALS168B, SN74ALS169B SYNCHRONOUS 4-BIT UP/DOWN DECADE AND BINARY COUNTERS

absolute maximum ratings over operating free-air temperature range (unless otherwise noted)

Supply voltage, V_{CC}	7 V
Input voltage	7 V
Operating free-air temperature range: SN54ALS168B, SN54ALS169B	-55°C to 125°C
SN74ALS168B, SN74ALS169B	0°C to 70°C
Storage temperature range	-65°C to 150°C

recommended operating conditions

		SN54ALS168B SN54ALS169B			SN74ALS168B SN74ALS169B			UNIT
		MIN	NOM	MAX	MIN	NOM	MAX	
V_{CC}	Supply voltage	4.5	5	5.5	4.5	5	5.5	V
V_{IH}	High-level input voltage	2			2			V
V_{IL}	Low-level input voltage			0.7			0.8	V
I_{OH}	High-level output current			-0.4			-0.4	mA
I_{OL}	Low-level output current			4			8	mA
f_{clock}	Clock frequency	0		22	0		40	MHz
t_w	Pulse duration	CLK high or low			14		12.5	ns
t_{su}	Setup time before CLK†	A, B, C, or D			20		15	ns
		ENP or ENT			25		15	
		LOAD			20		15	
		U/D			28		15	
t_h	Hold time, data after CLK†	0		0		0	ns	
T_A	Operating free-air temperature	-55		125	0		70	°C

electrical characteristics over recommended operating free-air temperature range (unless otherwise noted)

PARAMETER	TEST CONDITIONS	SN54ALS168B SN54ALS169B			SN74ALS168B SN74ALS169B			UNIT	
		MIN	TYP†	MAX	MIN	TYP†	MAX		
V_{IK}	$V_{CC} = 4.5 V, I_I = -18 mA$			-1.5			-1.5	V	
V_{OH}	$V_{CC} = 4.5 V$ to $5.5 V, I_{OH} = -0.4 mA$			$V_{CC}-2$			$V_{CC}-2$	V	
V_{OL}	$V_{CC} = 4.5 V, I_{OL} = 4 mA$			0.25	0.4		0.25	0.4	V
	$V_{CC} = 4.5 V, I_{OL} = 8 mA$						0.35	0.5	
I_I	$V_{CC} = 5.5 V, V_I = 7 V$			0.1			0.1	mA	
I_{IH}	$V_{CC} = 5.5 V, V_I = 2.7 V$			20			20	μA	
I_{IL}	$V_{CC} = 5.5 V, V_I = 0.4 V$			-0.2			-0.2	mA	
$I_{O±}$	$V_{CC} = 5.5 V, V_O = 2.25 V$	-30		-112	-30		-112	mA	
I_{CC}	$V_{CC} = 5.5 V$		15	25		15	25	mA	

†All typical values are at $V_{CC} = 5 V, T_A = 25°C$.

‡The output conditions have been chosen to produce a current that closely approximates one half of the true short-circuit output current, I_{OS} .

2

ALS and AS Circuits

SN54ALS168B, SN54ALS169B, SN74ALS168B, SN74ALS169B SYNCHRONOUS 4-BIT UP/DOWN DECADE AND BINARY COUNTERS

'ALS168B, 'ALS169B switching characteristics (see Note 1)

PARAMETER	FROM (INPUT)	TO (OUTPUT)	$V_{CC} = 4.5 \text{ V to } 5.5 \text{ V,}$ $C_L = 50 \text{ pF,}$ $R_L = 500 \Omega,$ $T_A = \text{MIN to MAX}$				UNIT
			SN54ALS168B SN54ALS169B		SN74ALS168B SN74ALS169B		
			MIN	MAX	MIN	MAX	
f_{max}			22		40		MHz
t_{PLH}	CLK	\overline{RCO}	3	25	3	20	ns
t_{PHL}			6	25	6	20	
t_{PLH}	CLK	Any Q	2	20	2	15	ns
t_{PHL}			5	23	5	20	
t_{PLH}	\overline{ENT}	\overline{RCO}	2	16	2	13	ns
t_{PHL}			3	24	3	16	
t_{PLH}	U/\overline{D}	\overline{RCO}	5	22	5	19	ns
t_{PHL}			5	22	5	19	

NOTE 1: Load circuit and voltage waveforms are shown in Section 1.

2
ALS and AS Circuits



POST OFFICE BOX 655012 • DALLAS, TEXAS 75265

2-177

SN54AS168, SN54AS169, SN74AS168, SN74AS169

SYNCHRONOUS 4-BIT UP/DOWN DECADE AND BINARY COUNTERS

absolute maximum ratings over operating free-air temperature range (unless otherwise noted)

Supply voltage, V_{CC}	7 V
Input voltage	7 V
Operating free-air temperature range: SN54AS168, SN54AS169	-55°C to 125°C
SN74AS168, SN74AS169	0°C to 70°C
Storage temperature range	-65°C to 150°C

recommended operating conditions

	SN54AS168 SN54AS169			SN74AS168 SN74AS169			UNIT		
	MIN	NOM	MAX	MIN	NOM	MAX			
V_{CC} Supply voltage	4.5	5	5.5	4.5	5	5.5	V		
V_{IH} High-level input voltage	2			2			V		
V_{IL} Low-level input voltage			0.8			0.8	V		
I_{OH} High-level output current			-2			-2	mA		
I_{OL} Low-level output current			20			20	mA		
f_{clock} Clock frequency	0	65		0	75		MHz		
t_w Pulse duration	CLK high or low			6.7			ns		
t_{su} Setup time before CLK†	A, B, C, or D			8			ns		
	ENP or ENT			8					
	LOAD			8					
	U/D			8					
t_h Hold time, data after CLK†	2			0			ns		
T_A Operating free-air temperature	-55			125			0	70	°C

2

ALS and AS Circuits

electrical characteristics over recommended operating free-air temperature range (unless otherwise noted)

PARAMETER	TEST CONDITIONS	SN54AS168 SN54AS169			SN74AS168 SN74AS169			UNIT
		MIN	TYP†	MAX	MIN	TYP†	MAX	
V_{IK}	$V_{CC} = 4.5$ V, $I_I = -18$ mA			-1.2			-1.2	V
V_{OH}	$V_{CC} = 4.5$ V to 5.5 V, $I_{OH} = -2$ mA	$V_{CC} - 2$			$V_{CC} - 2$			V
V_{OL}	$V_{CC} = 4.5$ V, $I_{OL} = 20$ mA		0.25	0.5		0.25	0.5	V
I_I	LOAD, ENT, U/D	0.2			0.2			mA
	All others	0.1			0.1			
I_{IH}	LOAD, ENT, U/D	40			40			µA
	All others	20			20			
I_{IL}	LOAD, ENT, U/D	-1			-1			mA
	All others,	-0.5			-0.5			
I_{O}^{\ddagger}	$V_{CC} = 5.5$ V, $V_O = 2.25$ V	-30		-112	-30		-112	mA
I_{CC}	$V_{CC} = 5.5$ V		41	63		41	63	mA

† All typical values are at $V_{CC} = 5$ V, $T_A = 25$ °C.

‡ The output conditions have been chosen to produce a current that closely approximates one half of the true short-circuit output current, I_{OS} .

SN54AS168, SN54AS169, SN74AS168, SN74AS169 SYNCHRONOUS 4-BIT UP/DOWN DECADE AND BINARY COUNTERS

'AS168, 'AS169 switching characteristics (see Note 1)

PARAMETER	FROM (INPUT)	TO (OUTPUT)	$V_{CC} = 4.5 \text{ V to } 5.5 \text{ V}$, $C_L = 50 \text{ pF}$, $R_L = 500 \Omega$, $T_A = \text{MIN to MAX}$				UNIT
			SN54AS168 SN54AS169		SN74AS168 SN74AS169		
			MIN	MAX	MIN	MAX	
f_{max}			65		75		MHz
t_{PLH}	CLK	\overline{RCO} (LOAD high or low)	3	17.5	3	16.5	ns
t_{PHL}			2	14	2	13	
t_{PLH}	CLK	Any Q	1	7.5	1	7	ns
t_{PHL}			2	14	2	13	
t_{PLH}	\overline{ENT}	\overline{RCO}	1.5	10	1.5	9	ns
t_{PHL}			1.5	10	1.5	9	
t_{PLH}	U/ \overline{D}	\overline{RCO}	2	14	2	12	ns
t_{PHL}			2	14.5	2	13	

NOTE 1: Load circuit and voltage waveforms are shown in Section 1.

2
ALS and AS Circuits



POST OFFICE BOX 655012 • DALLAS, TEXAS 75265