

DATA SHEET

74F641/74F642*

Transceivers

** Discontinued part. Please see the Discontinued Product List.*

Product specification
Supersedes data of 1989 Nov 27
IC15 Data Handbook

1999 Jan 08

Transceivers

74F641/74F642*

74F641 Octal Bus Transceiver with Common Output Enable, Non-Inverting (Open Collector)
 74F642 Octal Bus Transceiver with Common Output Enable, Inverting (Open Collector)

FEATURES

- High-impedance NPN base inputs for reduced loading (20µA in High and Low states)
- Octal bidirectional bus interface
- Common Output Enable for both Transmit and Receive modes
- Open collector outputs sink 64mA
- —74F641, non-inverting
 —74F642, inverting

ORDERING INFORMATION

DESCRIPTION	COMMERCIAL RANGE V _{CC} = 5V ±10%, T _{amb} = 0°C to +70°C	PKG DWG #
20-pin plastic DIP	N74F641N	SOT146-1
20-pin plastic SOL	N74F641D	SOT163-1

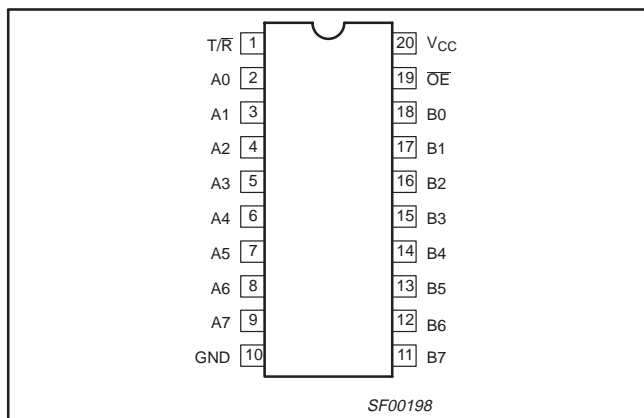
TYPE	TYPICAL PROPAGATION DELAY	TYPICAL SUPPLY CURRENT (TOTAL)
74F641	8.0ns	69mA
74F642	8.5ns	52mA

INPUT AND OUTPUT LOADING AND FAN-OUT TABLE

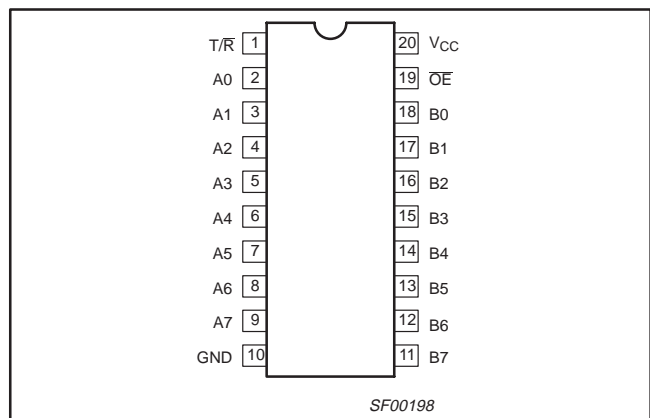
PINS	DESCRIPTION	74F(U.L.) HIGH/LOW	LOAD VALUE HIGH/LOW
A0 - A7, B0 - B7	Data inputs	1.0/0.033	20µA/20µA
T/R	Transmit/Receive input	2.0/0.067	40µA/40µA
\overline{OE}	Output Enable inputs	2.0/0.067	40µA/40µA
A0 - A7	Data outputs	OC/40	OC/24mA
B0 - B7	Data outputs	OC/106.7	OC/64mA

NOTE: One (1.0) FAST unit load is defined as: 20µA in the High state and 0.6mA in the Low state. OC = Open Collector.

PIN CONFIGURATION – 74F641



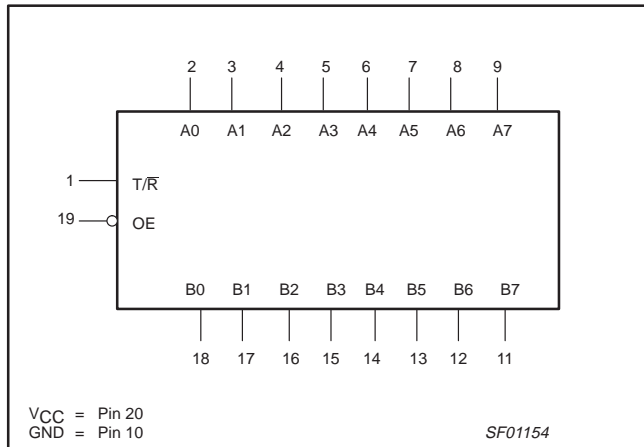
PIN CONFIGURATION – 74F642



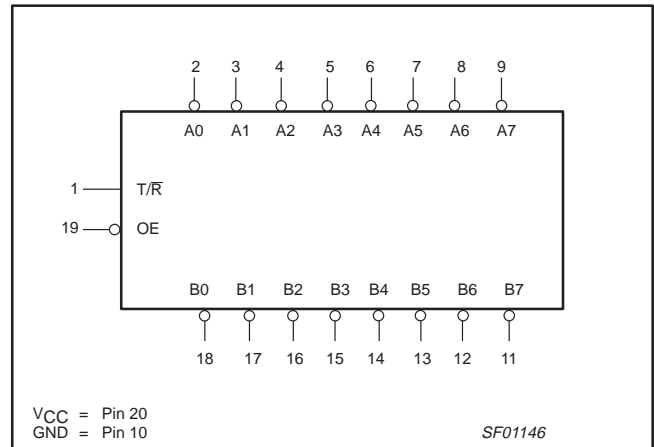
Transceivers

74F641/74F642*

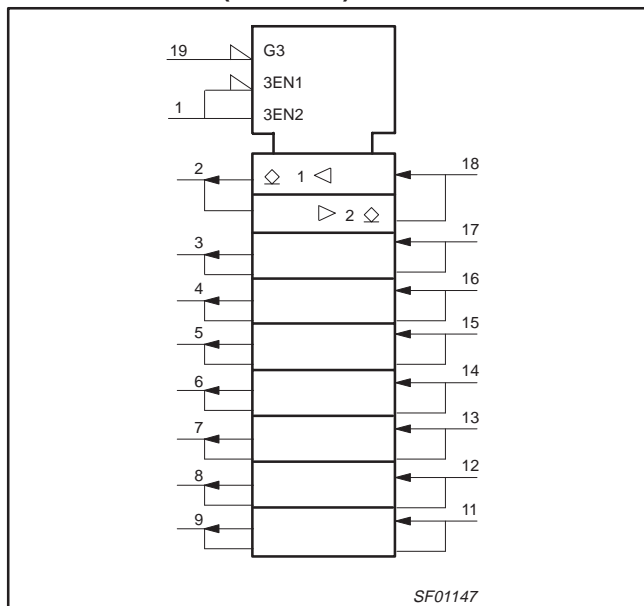
LOGIC SYMBOL – 74F641



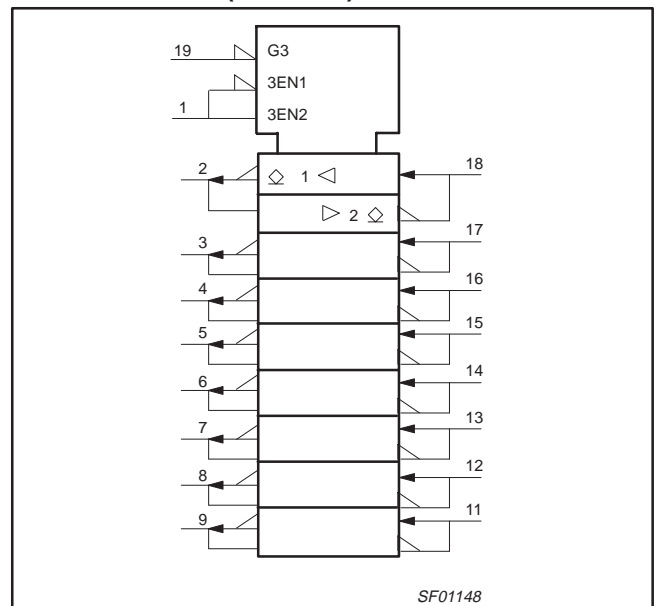
LOGIC SYMBOL – 74F642



LOGIC SYMBOL (IEEE/IEC) – 74F641



LOGIC SYMBOL (IEEE/IEC) – 74F642

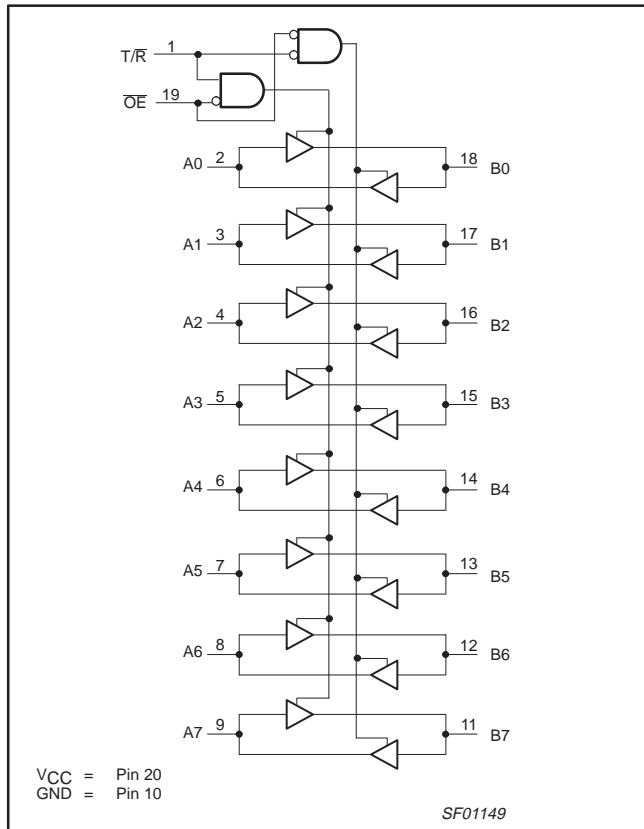


* Discontinued part. Please see the Discontinued Products List.

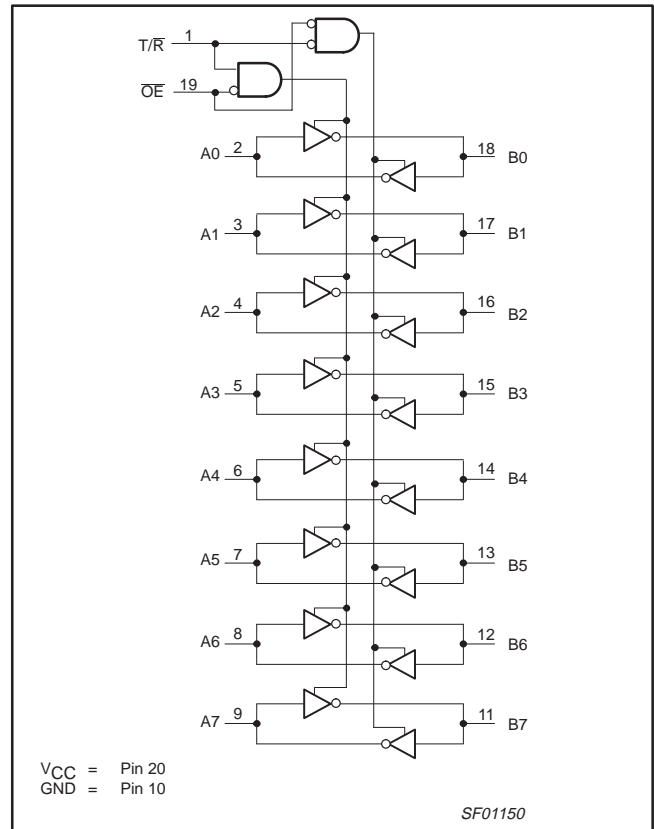
Transceivers

74F641/74F642*

LOGIC DIAGRAM – 74F641



LOGIC DIAGRAM – 74F642



FUNCTION TABLE – 74F641

INPUTS		INPUTS/OUTPUTS	
\overline{OE}	T/R	An	Bn
L	L	A=B	INPUTS
H	H	INPUTS	B=A
H	X	OFF	OFF

H = High voltage level
L = Low voltage level
X = Don't care
OFF= High if pull-up resistor is connected to open collector output

FUNCTION TABLE – 74F642

INPUTS		INPUTS/OUTPUTS	
\overline{OE}	T/R	An	Bn
L	L	A= \overline{B}	INPUTS
H	H	INPUTS	B= \overline{A}
H	X	OFF	OFF

H = High voltage level
L = Low voltage level
X = Don't care
OFF= High if pull-up resistor is connected to open collector output

* Discontinued part. Please see the Discontinued Products List.

Transceivers

74F641/74F642*

ABSOLUTE MAXIMUM RATINGS

(Operation beyond the limits set forth in this table may impair the useful life of the device.
Unless otherwise noted these limits are over the operating free-air temperature range.)

SYMBOL	PARAMETER		RATING	UNIT	
V _{CC}	Supply voltage		-0.5 to +7.0	V	
V _{IN}	Input voltage		-0.5 to +7.0	V	
I _{IN}	Input current		-30 to +5	mA	
V _{OUT}	Voltage applied to output in High output state		-0.5 to +V _{CC}	V	
I _{OUT}	Current applied to output in Low output state		A0–A7	48	mA
			B0–B7	128	mA
T _{amb}	Operating free-air temperature range		0 to +70	°C	
T _{stg}	Storage temperature range		-65 to +150	°C	

RECOMMENDED OPERATING CONDITIONS

SYMBOL	PARAMETER	LIMITS			UNIT
		MIN	NOM	MAX	
V _{CC}	Supply voltage	4.5	5.0	5.5	V
V _{IH}	High-level input voltage	2.0			V
V _{IL}	Low-level input voltage			0.8	V
I _{IK}	Input clamp current			-18	mA
I _{OH}	High-level output current			4.5	V
I _{OL}	Low-level output current	A0–A7		24	mA
		B0–B7		64	mA
T _{amb}	Operating free-air temperature range	0		70	°C

DC ELECTRICAL CHARACTERISTICS

(Over recommended operating free-air temperature range unless otherwise noted.)

SYMBOL	PARAMETER	TEST CONDITIONS ^{NO TAG}	LIMITS			UNIT		
			MIN	TYP NO TAG	MAX			
I _{OH}	High-level output current	V _{CC} = MIN, V _{IL} = MAX, V _{IH} = MIN, V _{OH} = MAX			250	μA		
V _{OL}	Low-level output voltage	A0–A7	V _{CC} = MIN, V _{IL} = MAX, V _{IH} = MIN,	I _{OL} = 24mA	±10%V _{CC}	0.35	0.50	V
				I _{OL} = 48mA	±5%V _{CC}	0.35	0.50	V
		B0–B7	I _{OL} = 48mA	±10%V _{CC}	0.38	0.55	V	
			I _{OL} = 64mA	±5%V _{CC}	0.42	0.55	V	
V _{IK}	Input clamp voltage	V _{CC} = MIN, I _I = I _{IK}			-0.73	-1.2	V	
I _I	Input current at maximum input voltage	T/R, OE	V _{CC} = 0.0V, V _I = 7.0V			100	μA	
		An, Bn	V _{CC} = 5.5V, V _I = 5.5V			1	mA	
I _{IH}	High-level input current	T/R, OE	V _{CC} = MAX, V _I = 2.7V			40	μA	
		An, Bn		20	μA			
I _{IL}	Low-level input current	T/R, OE	V _{CC} = MAX, V _I = 0.5V			-40	μA	
		An, Bn		-20	μA			
I _{CC}	Supply current (total)	74F641	V _{CC} = MAX	An=T/R=4.5, OE=GND	60	90	mA	
				T/R=4.5V, An=OE=GND	78	120	mA	
		74F642		An=T/R=OE=4.5V	37	55	mA	
				An=T/R=4.5V, OE=GND	67	98	mA	

NOTES:

- For conditions shown as MIN or MAX, use the appropriate value specified under recommended operating conditions for the applicable type.
- All typical values are at V_{CC} = 5V, T_{amb} = 25°C.

Transceivers

74F641/74F642*

AC ELECTRICAL CHARACTERISTICS – 74F641

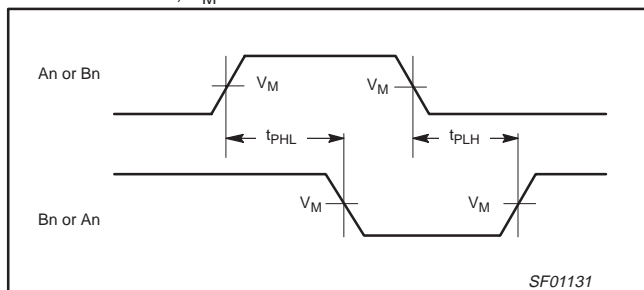
SYMBOL	PARAMETER	TEST CONDITION	LIMITS					UNIT
			V _{CC} = +5V T _{amb} = +25°C C _L = 50pF, R _L = 500Ω			V _{CC} = +5V ± 10% T _{amb} = 0°C to +70°C C _L = 50pF, R _L = 500Ω		
			MIN	TYP	MAX	MIN	MAX	
t _{PLH} t _{PHL}	Propagation delay An to Bn	Waveform NO TAG	6.5 4.0	8.5 6.0	11.5 9.5	6.5 4.0	12.5 11.0	ns
t _{PLH} t _{PHL}	Propagation delay Bn to An	Waveform NO TAG	6.0 3.5	8.0 5.5	11.5 7.5	6.0 3.5	12.0 8.0	ns
t _{PLH} t _{PHL}	Propagation delay OE to An	Waveform 4	7.0 5.0	10.5 7.0	12.5 9.0	7.0 5.0	13.0 10.0	ns
t _{PLH} t _{PHL}	Propagation delay OE to Bn	Waveform 4	8.0 3.5	9.0 7.5	12.5 9.5	8.0 5.5	13.5 10.5	ns

AC ELECTRICAL CHARACTERISTICS – 74F642

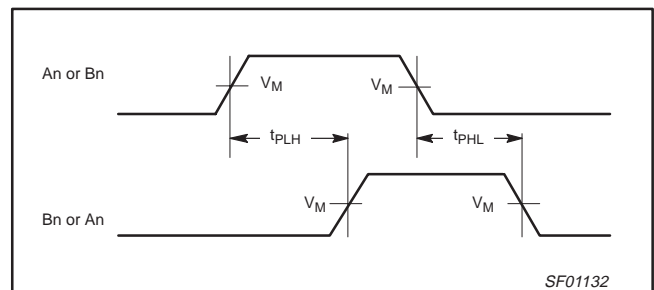
SYMBOL	PARAMETER	TEST CONDITION	LIMITS					UNIT
			V _{CC} = +5V T _{amb} = +25°C C _L = 50pF, R _L = 500Ω			V _{CC} = +5V ± 10% T _{amb} = 0°C to +70°C C _L = 50pF, R _L = 500Ω		
			MIN	TYP	MAX	MIN	MAX	
t _{PLH} t _{PHL}	Propagation delay An to Bn	Waveform NO TAG	8.0 2.0	9.0 4.5	12.5 6.5	8.0 2.0	13.5 7.0	ns
t _{PLH} t _{PHL}	Propagation delay Bn to An	Waveform NO TAG	7.5 1.5	8.0 4.0	12.0 6.0	7.5 1.5	12.5 6.5	ns
t _{PLH} t _{PHL}	Propagation delay OE to An	Waveform NO TAG	7.5 6.0	9.0 8.0	12.0 10.5	7.5 6.0	12.5 11.0	ns
t _{PLH} t _{PHL}	Propagation delay OE to Bn	Waveform NO TAG	8.0 6.0	9.0 7.0	12.5 10.5	8.0 6.0	13.0 11.0	ns

AC WAVEFORMS

For all waveforms, V_M = 1.5V.



Waveform 1. Propagation Delay for An to Bn or Bn to An (74F642)



Waveform 2. Propagation Delay for An to Bn or Bn to An (74F641)

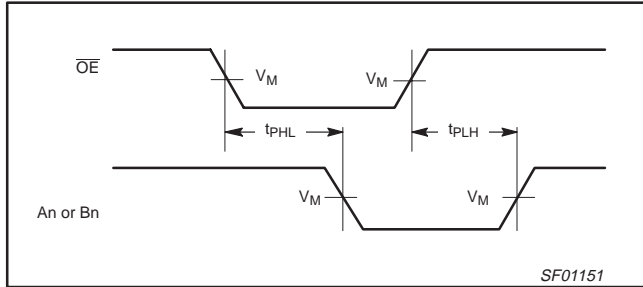
* Discontinued part. Please see the Discontinued Products List.

Transceivers

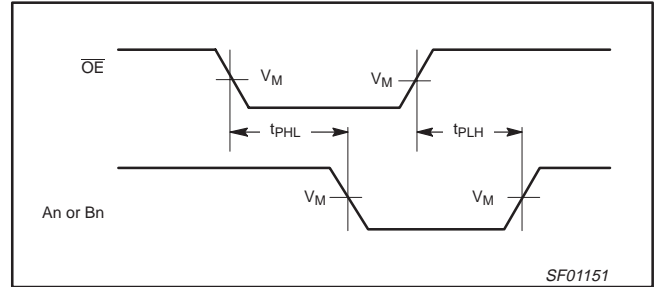
74F641/74F642*

AC WAVEFORMS (Continued)

For all waveforms, $V_M = 1.5V$.



Waveform 3. Propagation Delay for \overline{OE} to An or Bn Outputs (74F642) (Bn or An Inputs in High State)



Waveform 4. Propagation Delay for \overline{OE} to An or Bn Outputs (74F641) (Bn or An Inputs in Low State)

TEST CIRCUIT AND WAVEFORMS

Test Circuit for 3-State Outputs

TEST	SWITCH
t_{PLZ}	closed
t_{PZL}	closed
All other	open

DEFINITIONS:
 R_L = Load resistor; see AC electrical characteristics for value.
 C_L = Load capacitance includes jig and probe capacitance; see AC electrical characteristics for value.
 R_T = Termination resistance should be equal to Z_{OUT} of pulse generators.

Input Pulse Definition

family	INPUT PULSE REQUIREMENTS					
	amplitude	V_M	rep. rate	t_w	t_{TLH}	t_{THL}
74F	3.0V	1.5V	1MHz	500ns	2.5ns	2.5ns

SF00777

* Discontinued part. Please see the Discontinued Products List.

Transceivers

74F641/74F642*

DIP20: plastic dual in-line package; 20 leads (300 mil)

SOT146-1



DIMENSIONS (inch dimensions are derived from the original mm dimensions)

UNIT	A max.	A ₁ min.	A ₂ max.	b	b ₁	c	D ⁽¹⁾	E ⁽¹⁾	e	e ₁	L	M _E	M _H	w	Z ⁽¹⁾ max.
mm	4.2	0.51	3.2	1.73 1.30	0.53 0.38	0.36 0.23	26.92 26.54	6.40 6.22	2.54	7.62	3.60 3.05	8.25 7.80	10.0 8.3	0.254	2.0
inches	0.17	0.020	0.13	0.068 0.051	0.021 0.015	0.014 0.009	1.060 1.045	0.25 0.24	0.10	0.30	0.14 0.12	0.32 0.31	0.39 0.33	0.01	0.078

Note

1. Plastic or metal protrusions of 0.25 mm maximum per side are not included.

OUTLINE VERSION	REFERENCES				EUROPEAN PROJECTION	ISSUE DATE
	IEC	JEDEC	EIAJ			
SOT146-1			SC603			92-11-17 95-05-24

* Discontinued part. Please see the Discontinued Product List.

Transceivers

74F641/74F642*

SO20: plastic small outline package; 20 leads; body width 7.5 mm

SOT163-1



DIMENSIONS (inch dimensions are derived from the original mm dimensions)

UNIT	A max.	A ₁	A ₂	A ₃	b _p	c	D ⁽¹⁾	E ⁽¹⁾	e	H _E	L	L _p	Q	v	w	y	Z ⁽¹⁾	θ
mm	2.65	0.30 0.10	2.45 2.25	0.25	0.49 0.36	0.32 0.23	13.0 12.6	7.6 7.4	1.27	10.65 10.00	1.4	1.1 0.4	1.1 1.0	0.25	0.25	0.1	0.9 0.4	8° 0°
inches	0.10	0.012 0.004	0.096 0.089	0.01	0.019 0.014	0.013 0.009	0.51 0.49	0.30 0.29	0.050	0.419 0.394	0.055	0.043 0.016	0.043 0.039	0.01	0.01	0.004	0.035 0.016	

Note

1. Plastic or metal protrusions of 0.15 mm maximum per side are not included.

OUTLINE VERSION	REFERENCES				EUROPEAN PROJECTION	ISSUE DATE
	IEC	JEDEC	EIAJ			
SOT163-1	075E04	MS-013AC				95-01-24 97-05-22

* Discontinued part. Please see the Discontinued Product List.

Transceivers

74F641/74F642*

Data sheet status

Data sheet status	Product status	Definition [1]
Objective specification	Development	This data sheet contains the design target or goal specifications for product development. Specification may change in any manner without notice.
Preliminary specification	Qualification	This data sheet contains preliminary data, and supplementary data will be published at a later date. Philips Semiconductors reserves the right to make changes at any time without notice in order to improve design and supply the best possible product.
Product specification	Production	This data sheet contains final specifications. Philips Semiconductors reserves the right to make changes at any time without notice in order to improve design and supply the best possible product.

[1] Please consult the most recently issued datasheet before initiating or completing a design.

Definitions

Short-form specification — The data in a short-form specification is extracted from a full data sheet with the same type number and title. For detailed information see the relevant data sheet or data handbook.

Limiting values definition — Limiting values given are in accordance with the Absolute Maximum Rating System (IEC 134). Stress above one or more of the limiting values may cause permanent damage to the device. These are stress ratings only and operation of the device at these or at any other conditions above those given in the Characteristics sections of the specification is not implied. Exposure to limiting values for extended periods may affect device reliability.

Application information — Applications that are described herein for any of these products are for illustrative purposes only. Philips Semiconductors make no representation or warranty that such applications will be suitable for the specified use without further testing or modification.

Disclaimers

Life support — These products are not designed for use in life support appliances, devices or systems where malfunction of these products can reasonably be expected to result in personal injury. Philips Semiconductors customers using or selling these products for use in such applications do so at their own risk and agree to fully indemnify Philips Semiconductors for any damages resulting from such application.

Right to make changes — Philips Semiconductors reserves the right to make changes, without notice, in the products, including circuits, standard cells, and/or software, described or contained herein in order to improve design and/or performance. Philips Semiconductors assumes no responsibility or liability for the use of any of these products, conveys no license or title under any patent, copyright, or mask work right to these products, and makes no representations or warranties that these products are free from patent, copyright, or mask work right infringement, unless otherwise specified.

Philips Semiconductors
811 East Arques Avenue
P.O. Box 3409
Sunnyvale, California 94088-3409
Telephone 800-234-7381

© Copyright Philips Electronics North America Corporation 1998
All rights reserved. Printed in U.S.A.

print code

Date of release: 10-98

Document order number:

9397-750-05149

* Discontinued part. Please see the Discontinued Product List.

Let's make things better.