

Description

The μ PD71011 is a clock pulse generator/driver for the V20™/V30™ microprocessors and their peripherals using NEC's high-speed CMOS technology.

Features

- CMOS technology
- Clock pulse generator/driver for μ PD70108/70116 or other CMOS or NMOS CPUs and their peripherals
- 50% duty cycle
- Frequency source can be crystal or external clock input
- Reset signal with Schmitt-trigger circuit for CPU or peripherals

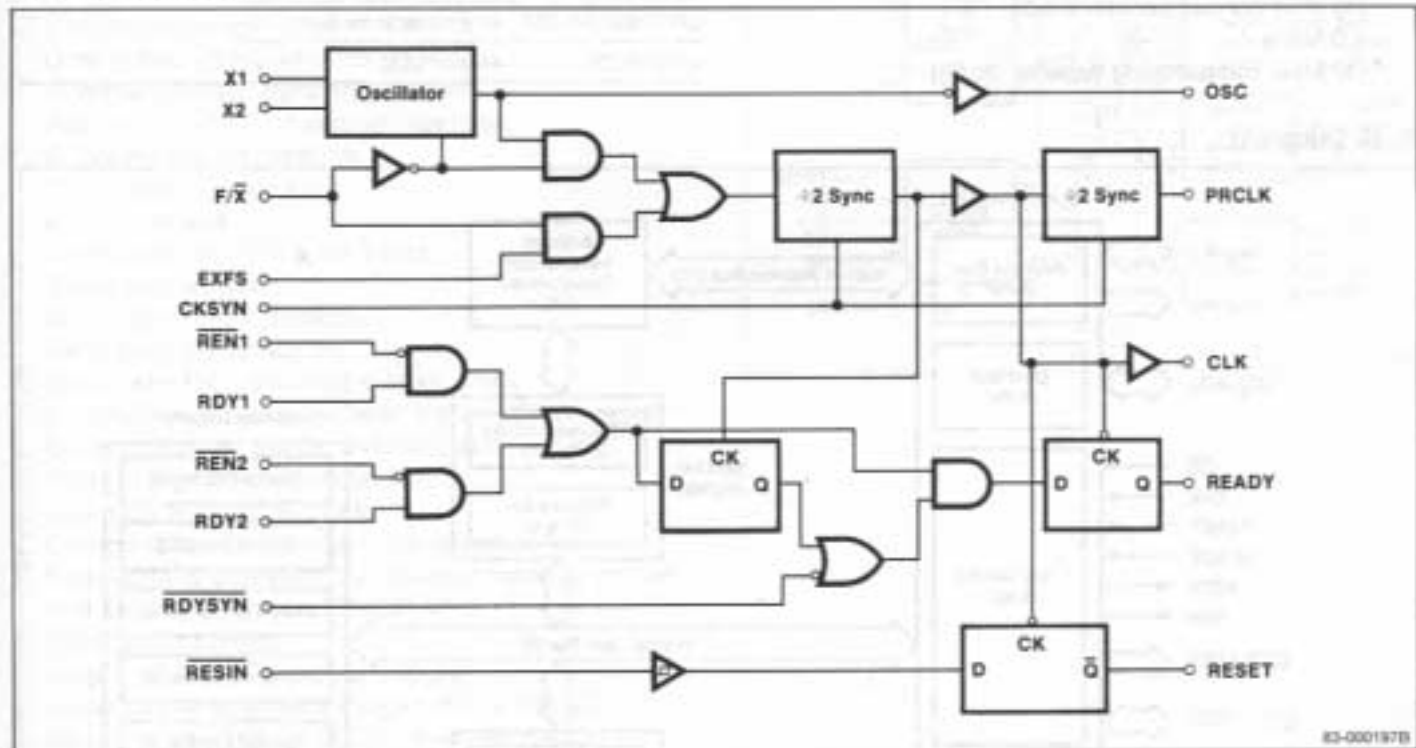
- Bus ready signal with two-bus system synchronization
- Clock synchronization with other μ PD71011s
- Single +5-volt $\pm 10\%$ power supply
- Industrial temperature range: -40 to $+85^\circ\text{C}$

Ordering Information

Part Number	Package	Maximum Clockout Frequency
μ PD71011C	18-pin plastic DIP	8 MHz
C-10	18-pin plastic DIP	10 MHz
G	20-pin plastic SO	8 MHz
G-10	20-pin plastic SO	10 MHz

V20 and V30 are registered trademarks of NEC Corporation.

Block Diagram



2