

# SONY CXK58267AP/ASP/AM -70L/85L/10L/12L -70LL/85LL/10LL/12LL

## 32768-word × 8-bit High Speed CMOS Static RAM

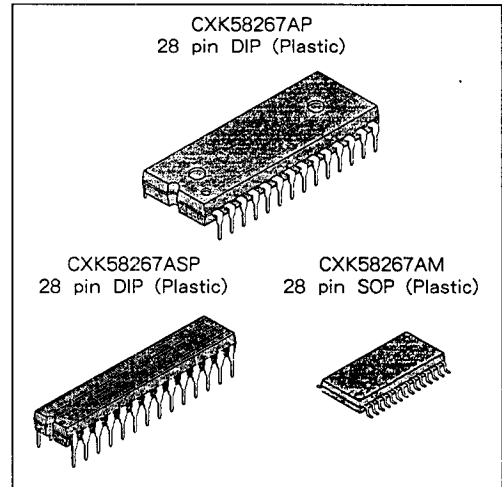
Advance  
Information

### Description

CXK58267AP/ASP/AM is 262,144 bits high speed CMOS static RAM organized as 32,768 words by 8 bits and operates from a single 5V supply. The CXK58267AP/ASP/AM's two chip enable inputs are useful for battery back up operation for nonvolatility.

### Features

- Fast access time : (Access time)  
CXK58267AP/ASP/AM-70L, 70LL 70ns(Max.)  
CXK58267AP/ASP/AM-85L, 85LL 85ns(Max.)  
CXK58267AP/ASP/AM-10L, 10LL 100ns(Max.)  
CXK58267AP/ASP/AM-12L, 12LL 120ns(Max.)
- Low power operation :  
CXK58267AP/ASP/AM-70LL, 85LL, 10LL, 12LL ;  
Standby : 1  $\mu$ W (Typ.)  
Operation : 15mW (Typ.)  
CXK58267AP/ASP/AM-70L, 85L, 10L, 12L ;  
Standby : 2.5  $\mu$ W (Typ.)  
Operation : 15mW (Typ.)
- Single +5V supply : +5V  $\pm$  10%
- Fully static memory...No clock or timing strobe required
- Equal access and cycle time
- Common data input and output : three state output
- Directly TTL compatible : All inputs and outputs



- Low voltage data retention : 2.0V (Min.)
- Available in 28 pin 600mil DIP, 300mil DIP and 450mil SOP

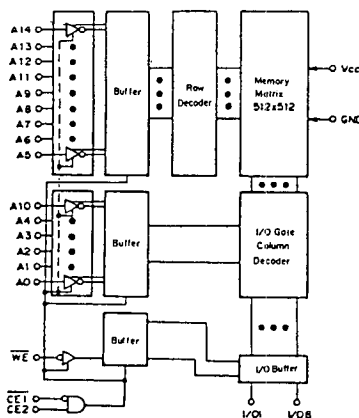
### Function

32768-word × 8-bit static RAM

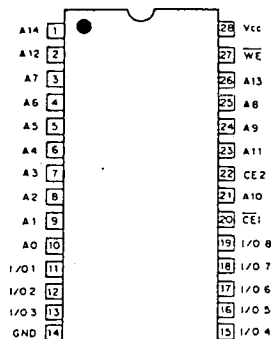
### Structure

Silicon gate CMOS IC

### Block Diagram



### Pin Configuration (Top view)



### Pin Description

Symbol	Description
A0 to A14	Address input
I/O1 to I/O8	Data input/output
CE1, CE2	Chip enable 1, 2 input
WE	Write enable input
Vcc	+5V power supply
GND	Ground

AE90221 - ST