



- Excellent for reducing EMI effect.
- High frequency stability and reliability.
- High precision characteristic covering up to high frequency range.
- The best choice of Network, PCMCIA card, and portable or handheld PC.



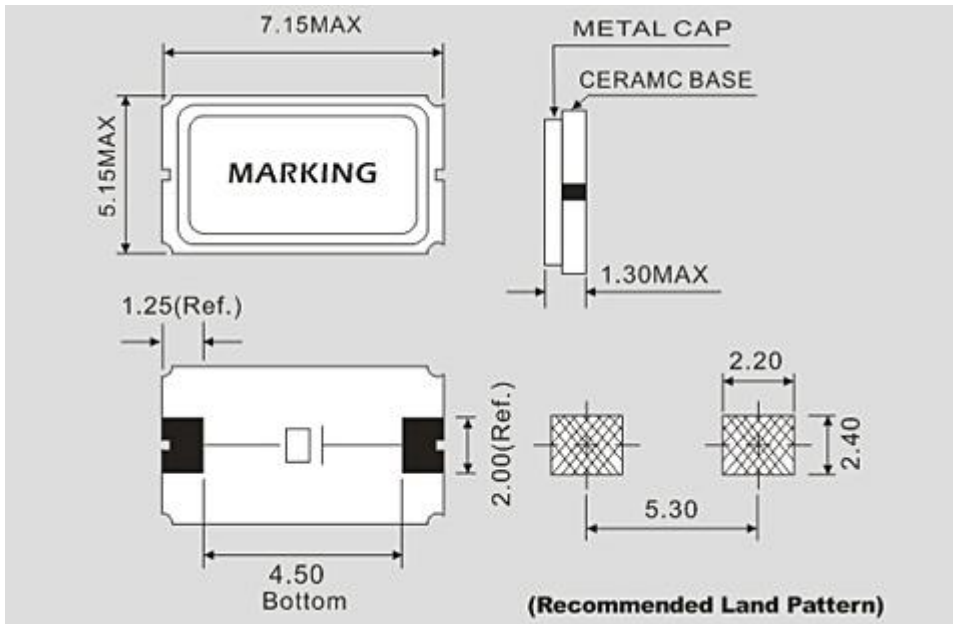
■ Electrical Specifications

Model	SX5711 2P
Frequency Range	6 ~ 100MHz
Frequency Tolerance (at 25°C)	±10 ppm, ± 30 ppm, or specify
Frequency Stability Over Operating Temperature Range	±10 ppm, ± 30 ppm, or specify
Operating Temperature Range	-10 ~ +70 °C , -40 ~ +85 °C, or specify
Shunt Capacitance (C0)	7 pF Max. (3 pF typical)
Drive Level	1 ~ 200 uW (100 uW typical)
Load Capacitance	Series,16 pF, 20 pF, 30 pF, 32 pF, or specify
Aging (at 25°C)	± 3 ppm / year Max.
Storage Temperature Range	-40 ~ +85 °C

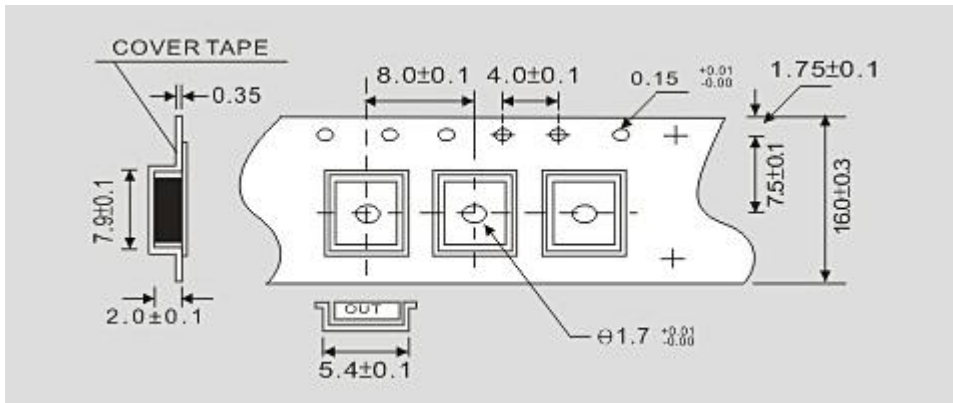
■ Equivalent Series Resistance (ESR)

Fundamental		3rd Overtone	
6~ 8 Mhz	80 Ω Max.	32 ~ 60 MHz	100 Ω Max.
8~ 10 Mhz	60 Ω Max.	60 ~100 MHz	80 Ω Max.
10~ 48 Mhz	40 Ω Max.		

■ Dimensions



■ Tape



■ Reel

